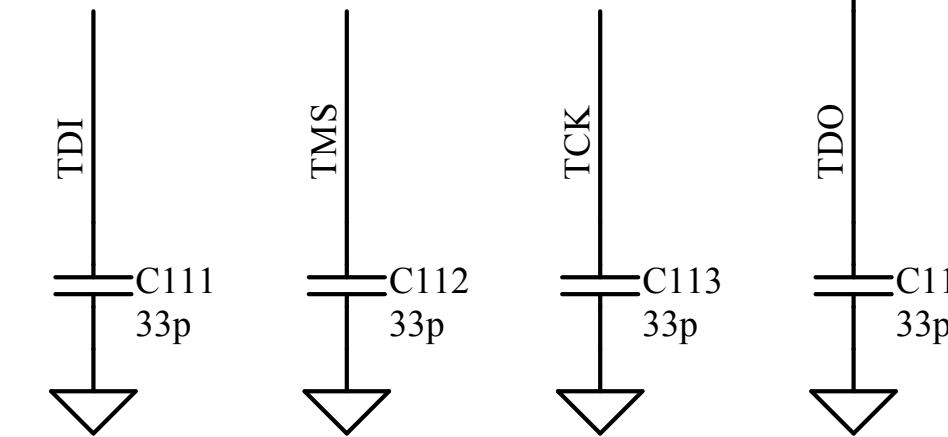
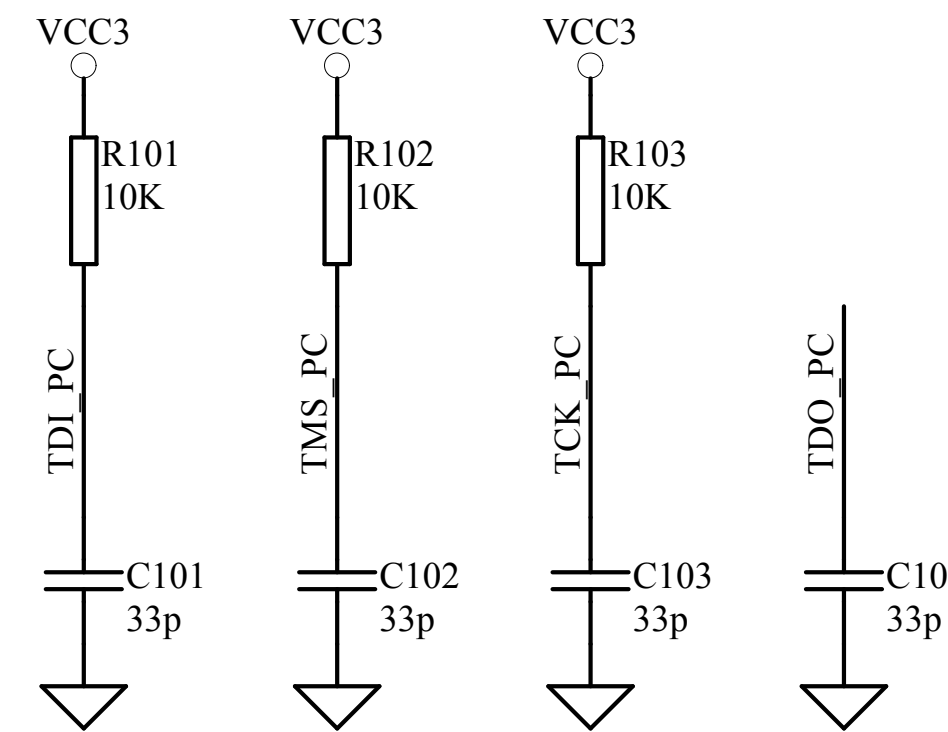


LPT-PC SIDE
 2-TDI
 3-TCK
 4-TMS
 13-TDO
 8-CHECK CABLE OUT
 11,12 CHECK CABLE IN
 15-VCC
 18-25 GND

JTAG -LPT SIDE
 1-GND
 2-TDI
 3-GND
 4-TMS
 5-GND
 6-TCK
 7-GND
 8-TDO
 9-GND
 10-CHECK CABLE OUT
 11-GND
 12-CHECK CABLE IN
 13-GND
 14-CHECK CABLE IN



Title		
Size B	Number	Revision
Date:	11/28/2006	Sheet of
File:	C:\temp\...JTAGv2.Sch	Drawn By: