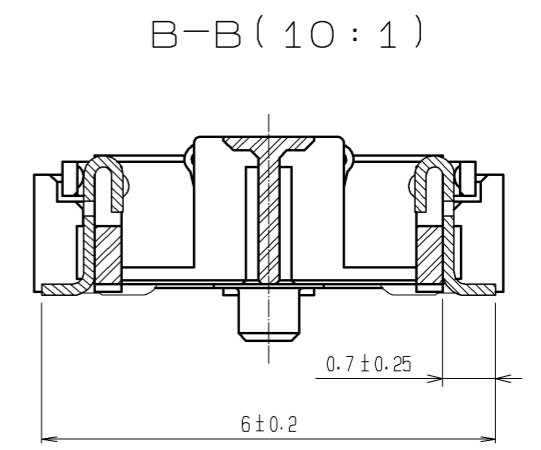
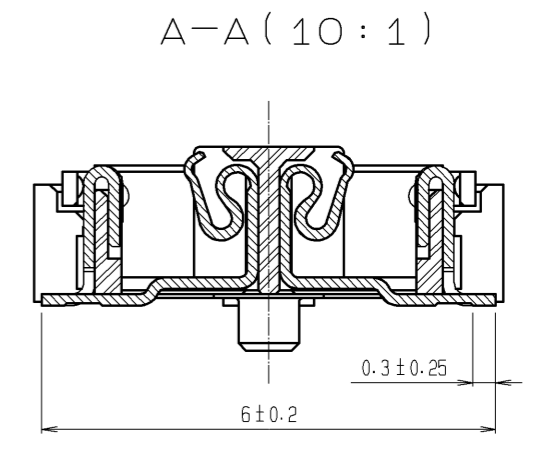
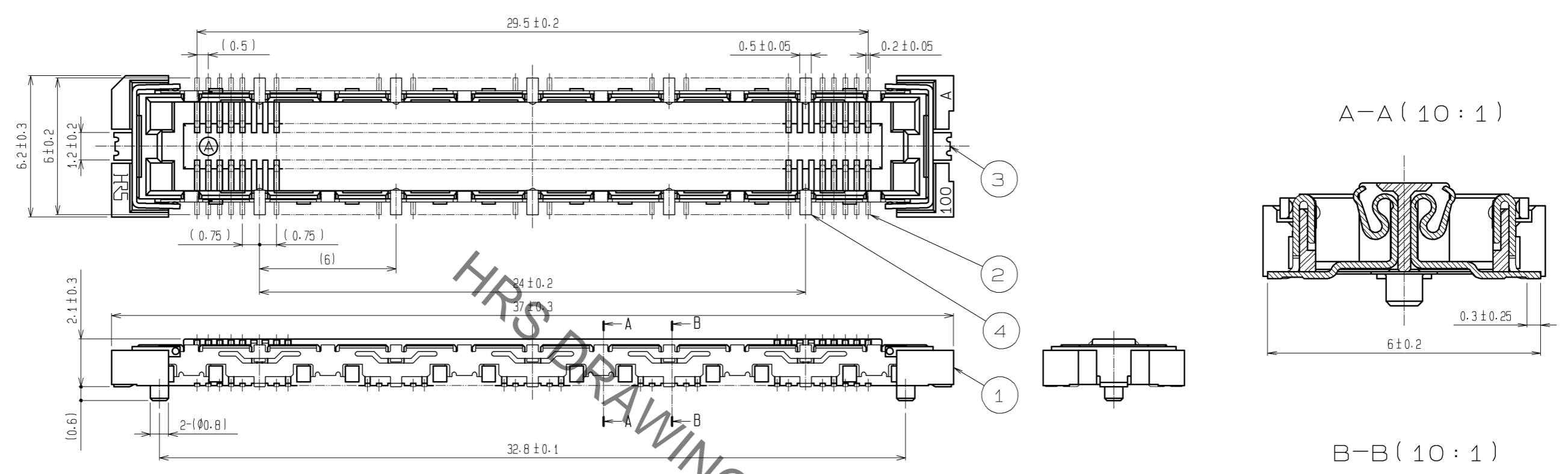
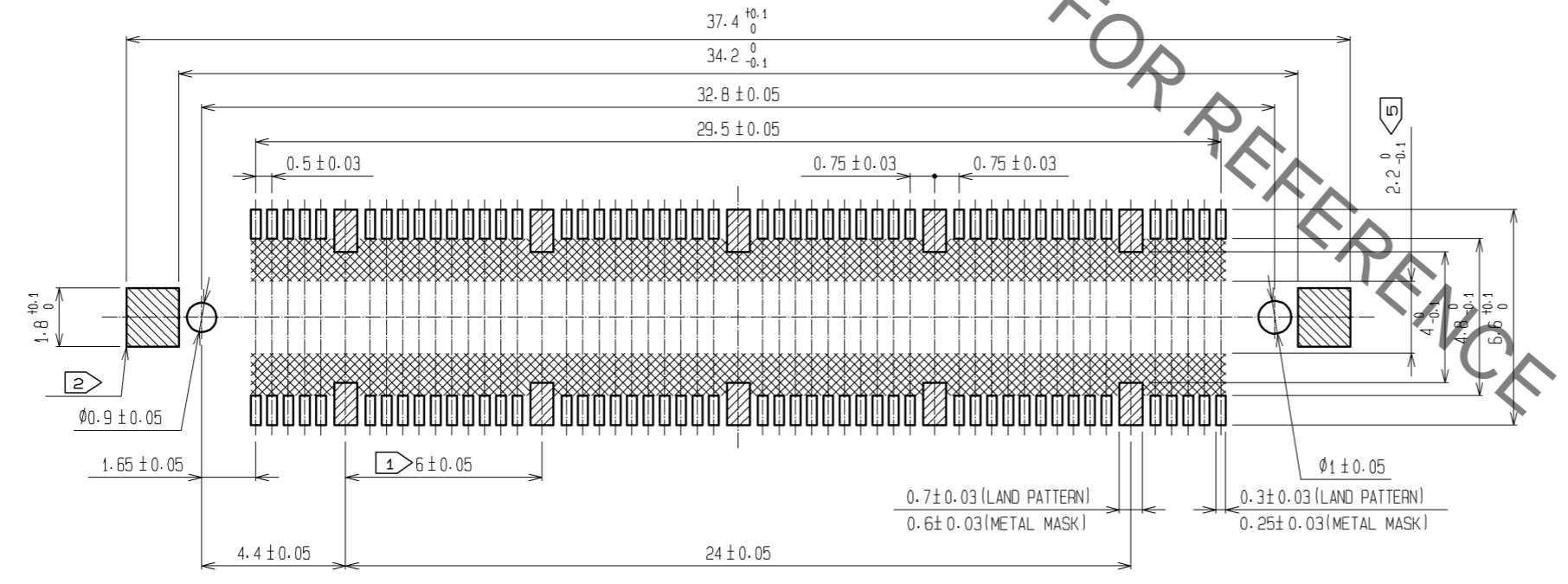


Jan.1.2022 Copyright 2022 HIROSE ELECTRIC CO., LTD. All Rights Reserved.
In case of consideration for using Automotive equipment / device which demand high reliability, kindly contact our sales window correspondents.



RECOMMENDED LAND PATTERN DIMENSION OF PCB



- NOTES
- ① 10 HATCHED PARTS:GROUND CIRUIT.
 - ② 2 HATCHED PARTS:GROUND CIRUIT.
 - ③ SMT LEAD-COPLANARITY:0.1 MAX.
 - ④ THIS PRODUCT HAS NO POLARITY TO PATTERN FOR MOUNTING.
 - ⑤ MAKE SURE WIDTH OF PATTERN IS WITHIN THAT OF LAND ,OR LEAD MAY TOUCH PATTERN. (THIS APPLIES TO HATCHED AREA.)
 - ⑥ DIMENSIONS IN PARENTHESES ARE FOR REFERENCE.

3. 4	PHOSPHOR BRONZE	TIN-PLATING	2	PHOSPHOR BRONZE	CONTACT AREA:GOLD 0.1#m min. LEAD AREA:GOLD FLASH		
1	LCP	BEIGE UL94V-0			UNDER PLATING:NICKEL 1#m min.		
NO.	MATERIAL	FINISH, REMARKS	NO.	MATERIAL	FINISH, REMARKS		
UNITS mm		SCALE 5 : 1	COUNT 	DESCRIPTION OF REVISIONS	DESIGNED	CHECKED	DATE
HRS HIROSE ELECTRIC CO., LTD.		APPROVED : HS. OKAWA	07.08.01	DRAWING NO.	EDC3-152634-25		
		CHECED : HS. OZAWA	07.08.01	PART NO.	FX11A-100S/10-SV(71)		
		DESIGNED : SY. KAMIGA	07.08.01	CODE NO.	CL573-0704-4-71		
		DRAWN : HK. SUNADORI	07.08.01				