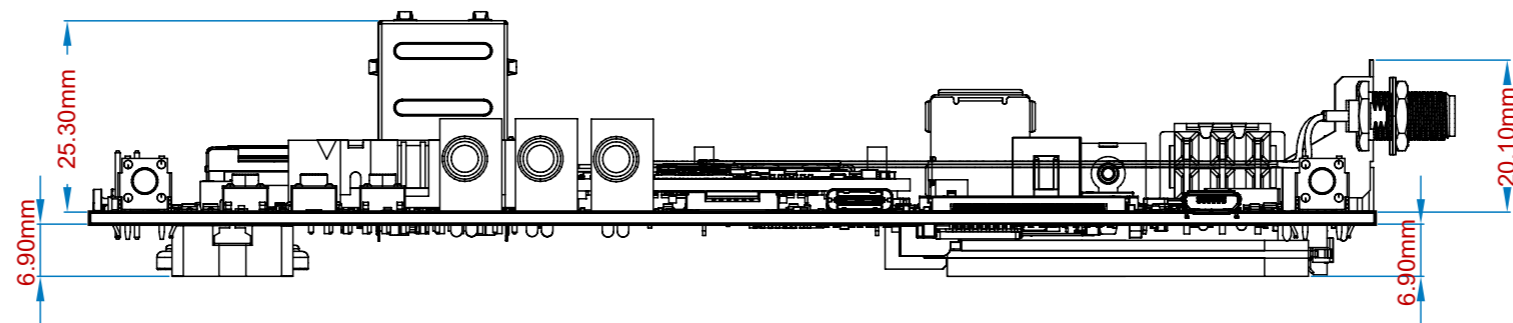
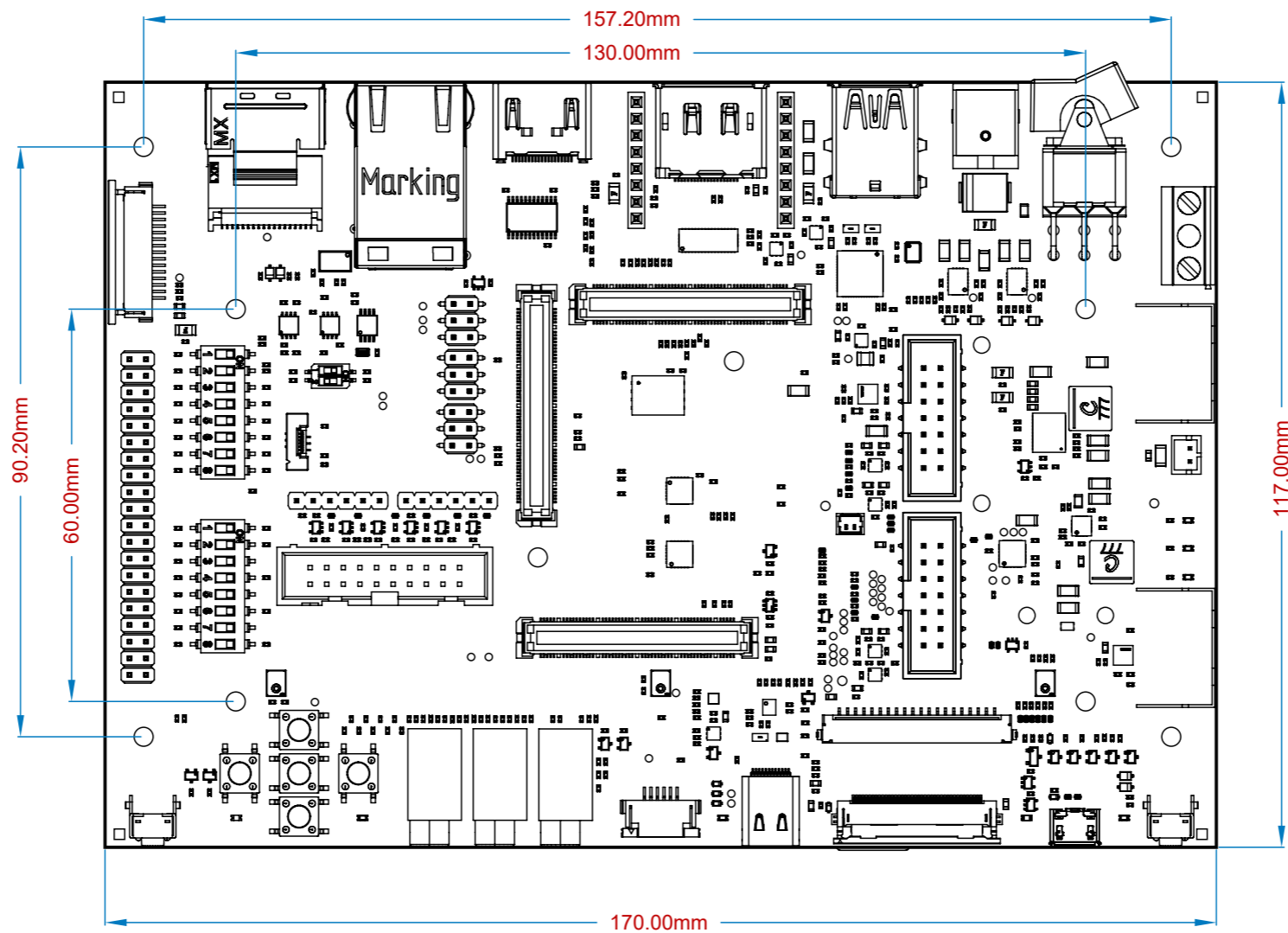
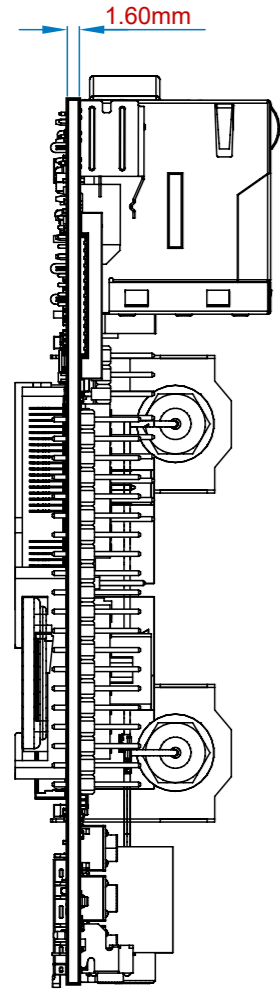


MECHANICAL DRAWING



(c) 2024 VOIPAC TECHNOLOGIES s.r.o OPEN to modificate / reproduce		
Project: iMX Development Baseboard		Variant: Production_iMX
Page Contents: MECHANICAL DRAWING		Checked by:
Size:	DWG NO:	Revision: V112
Date: 02-Aug-2024	www.voipac.com	Sheet of