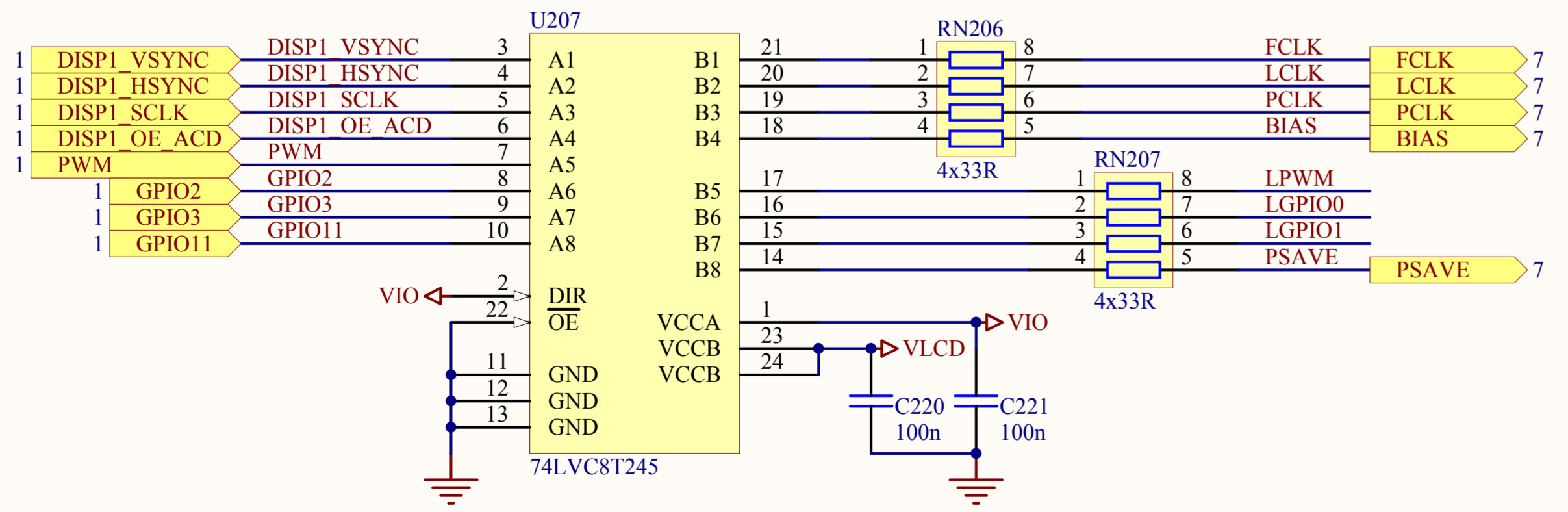
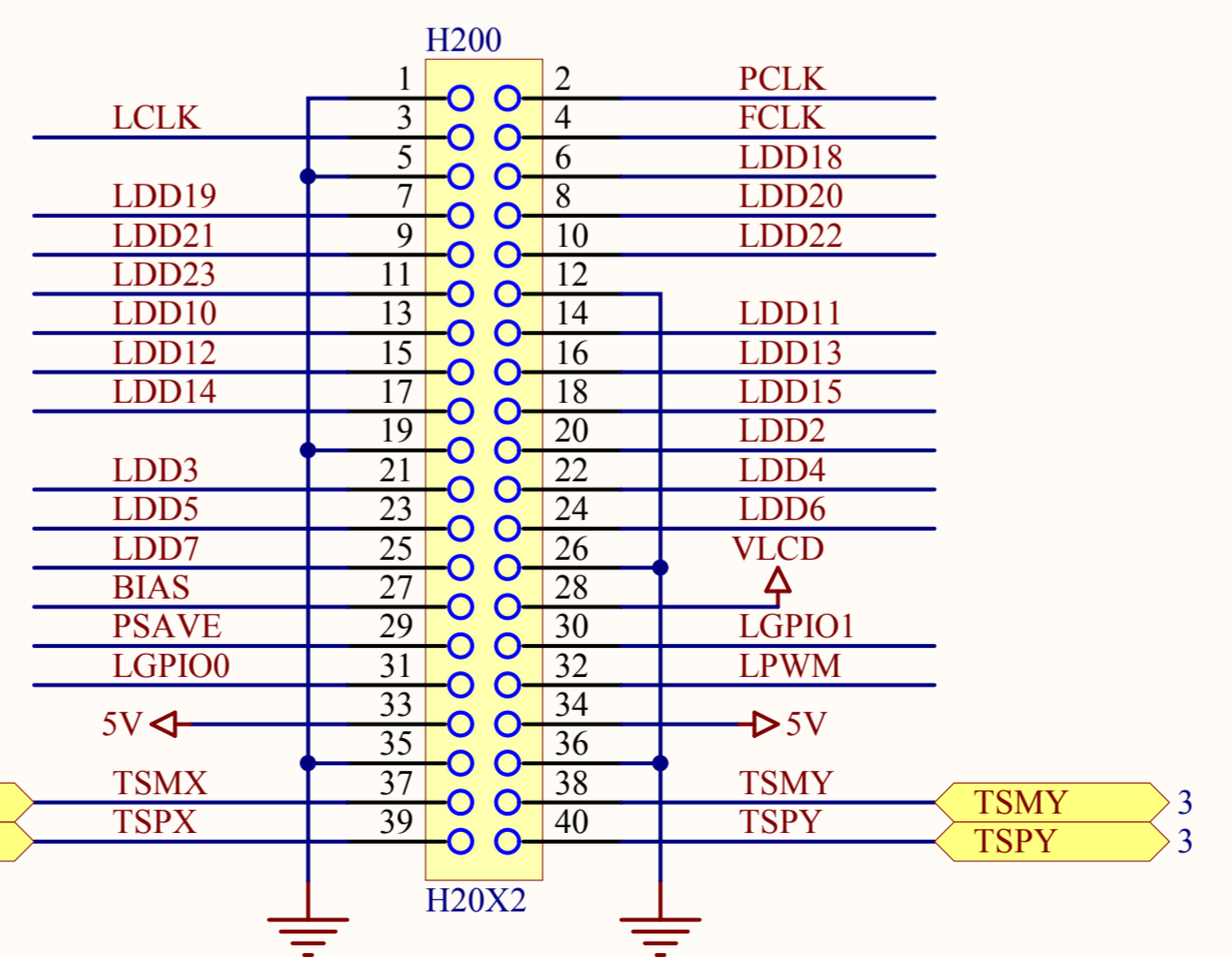
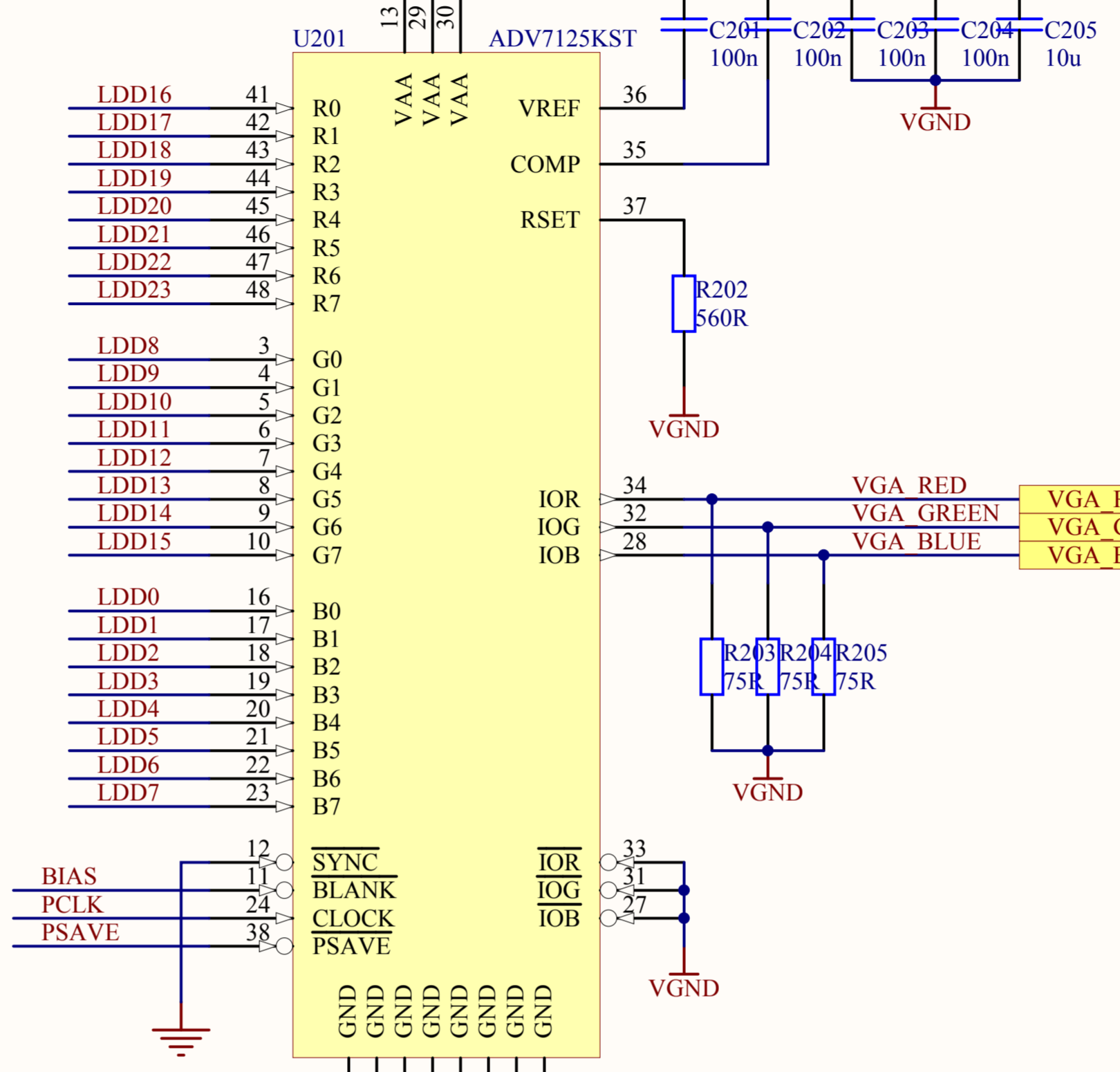
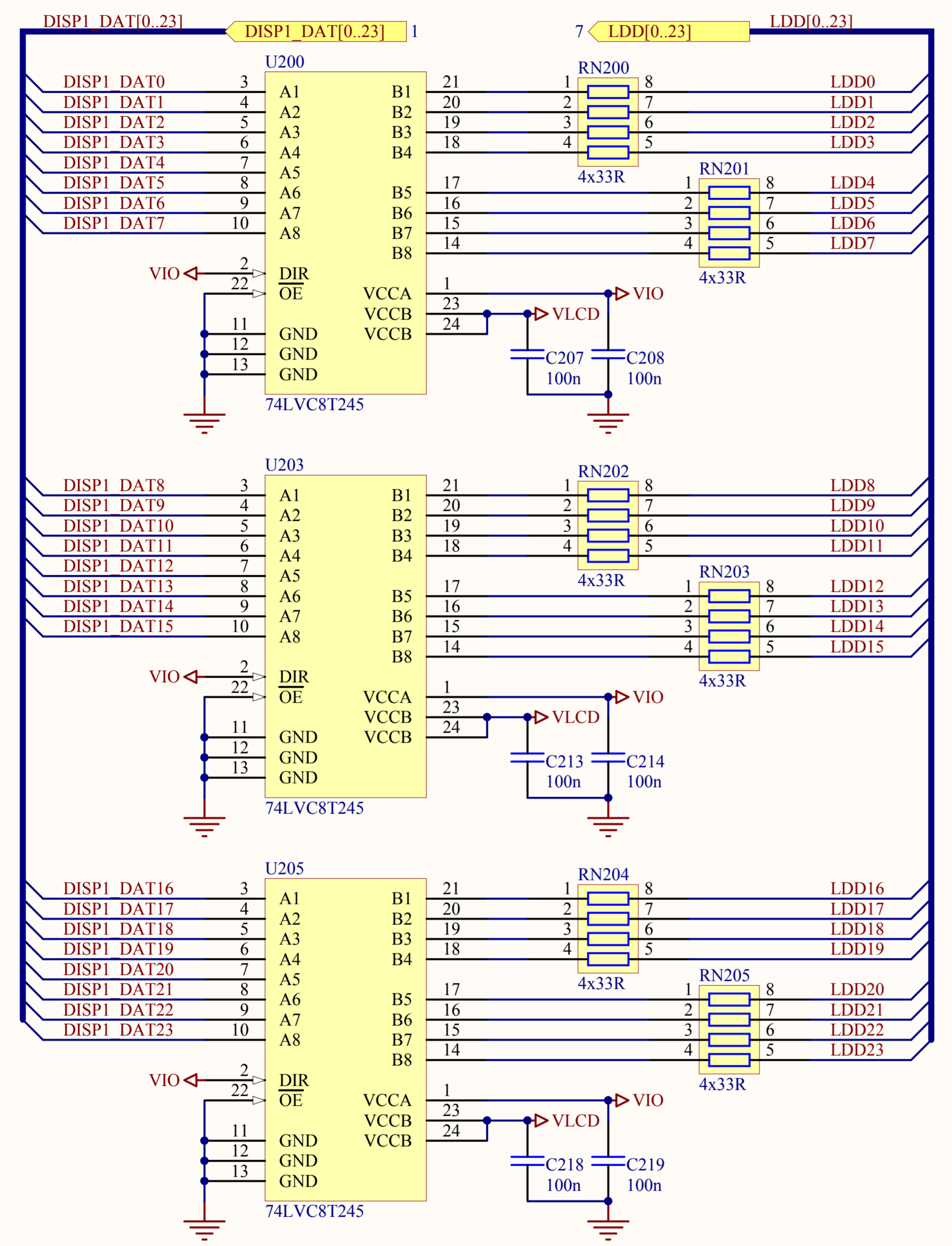
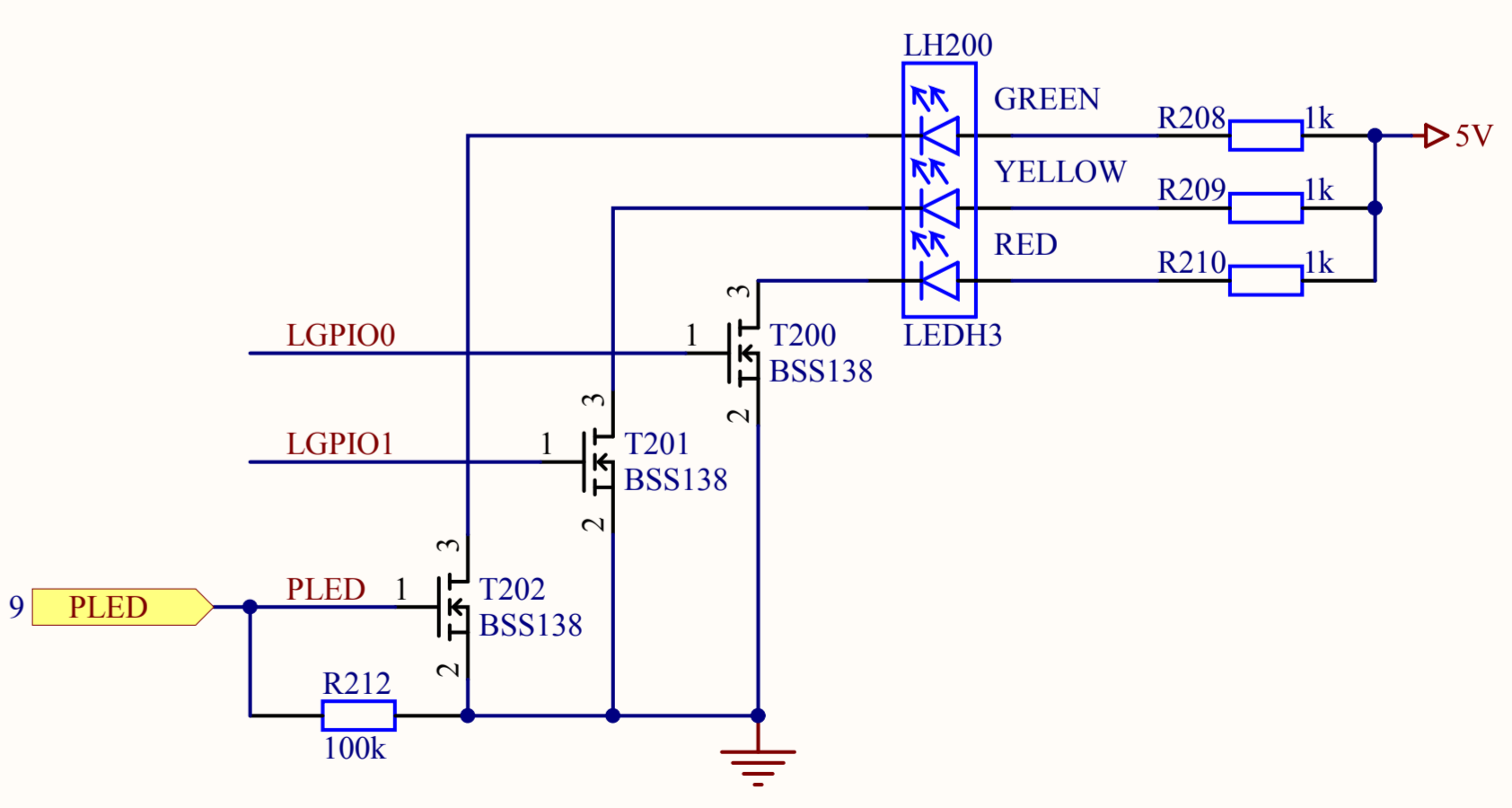
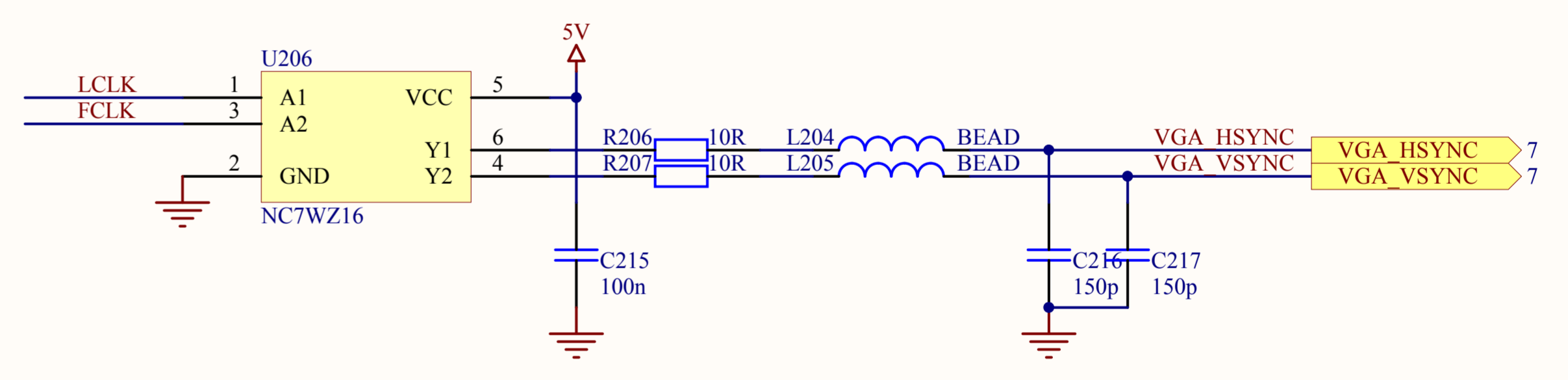
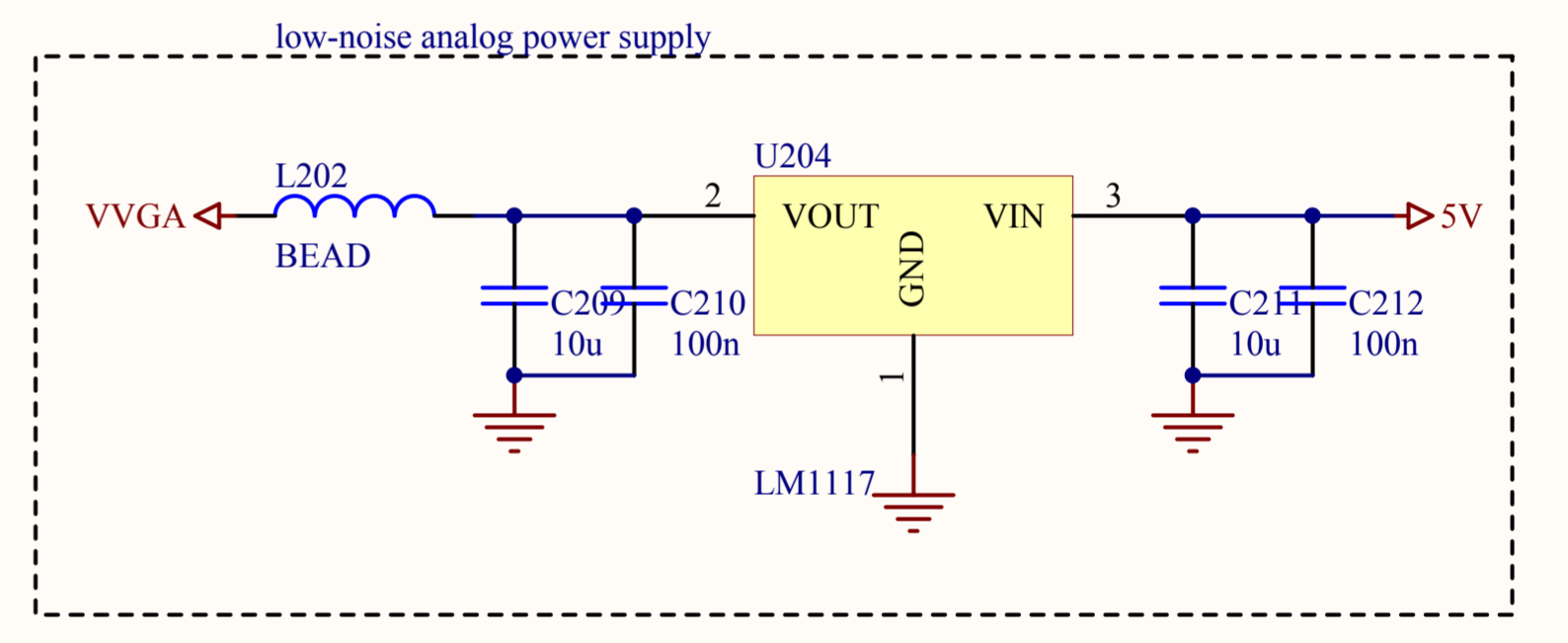
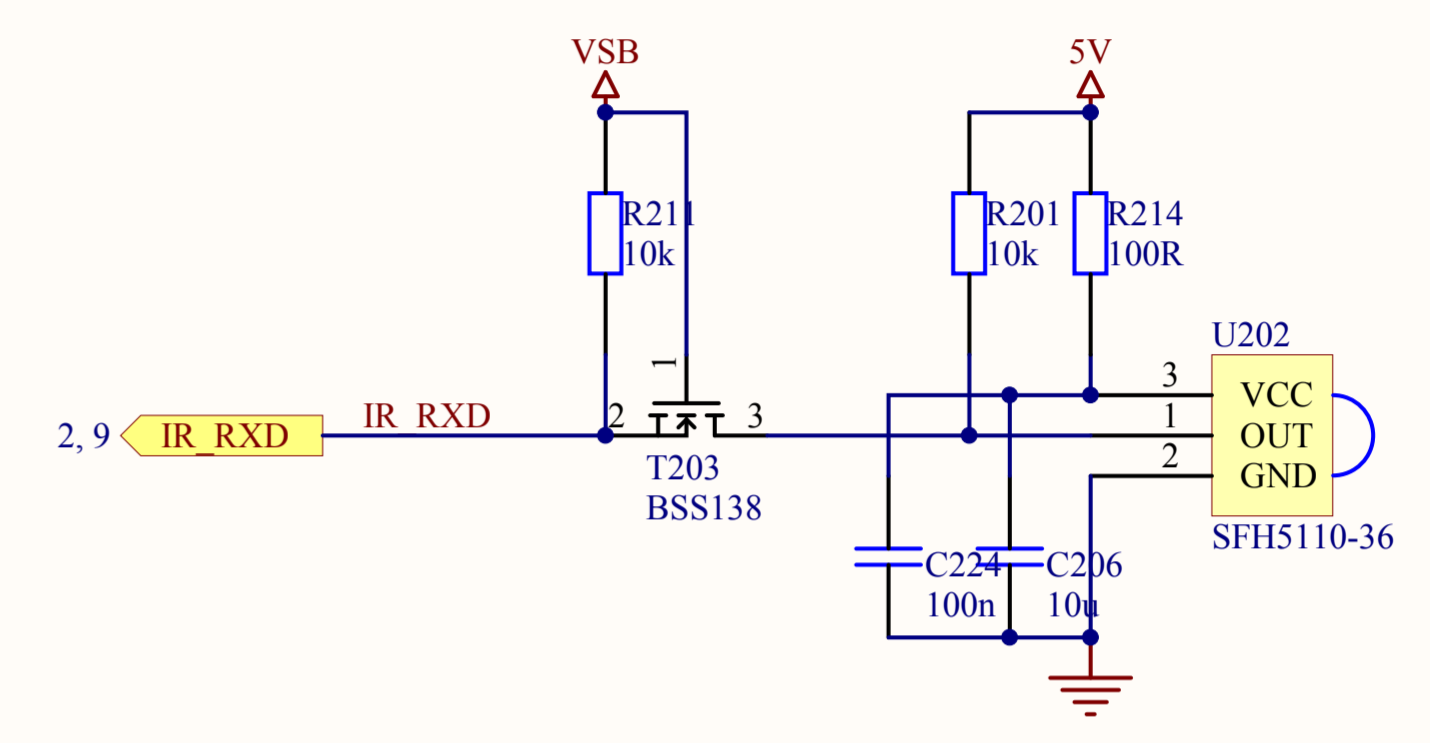
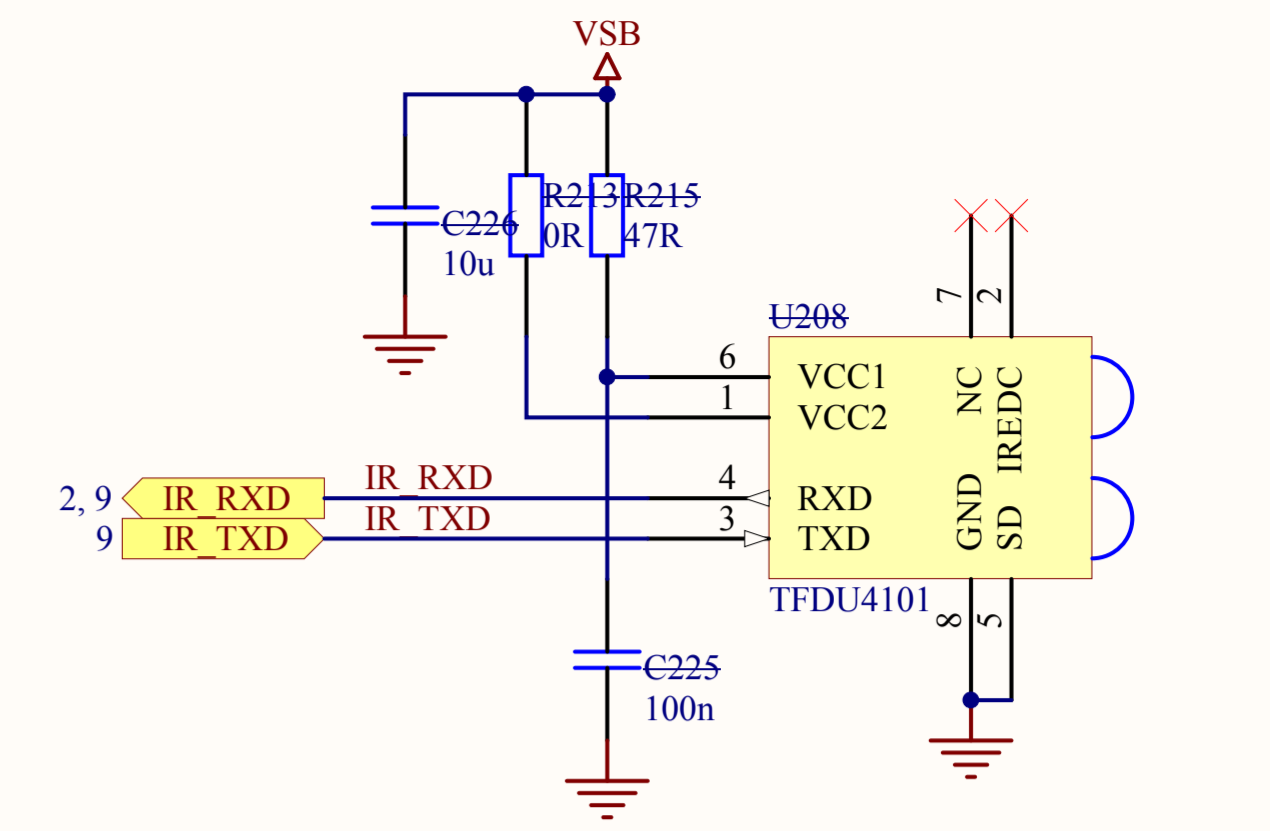
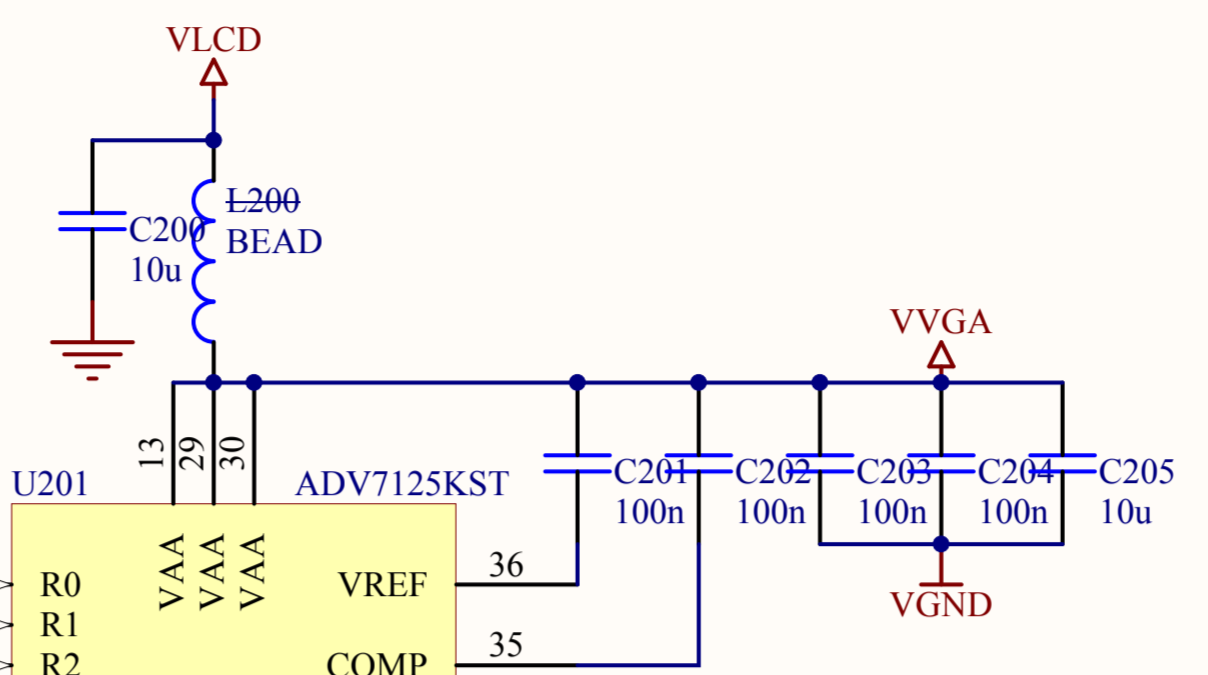
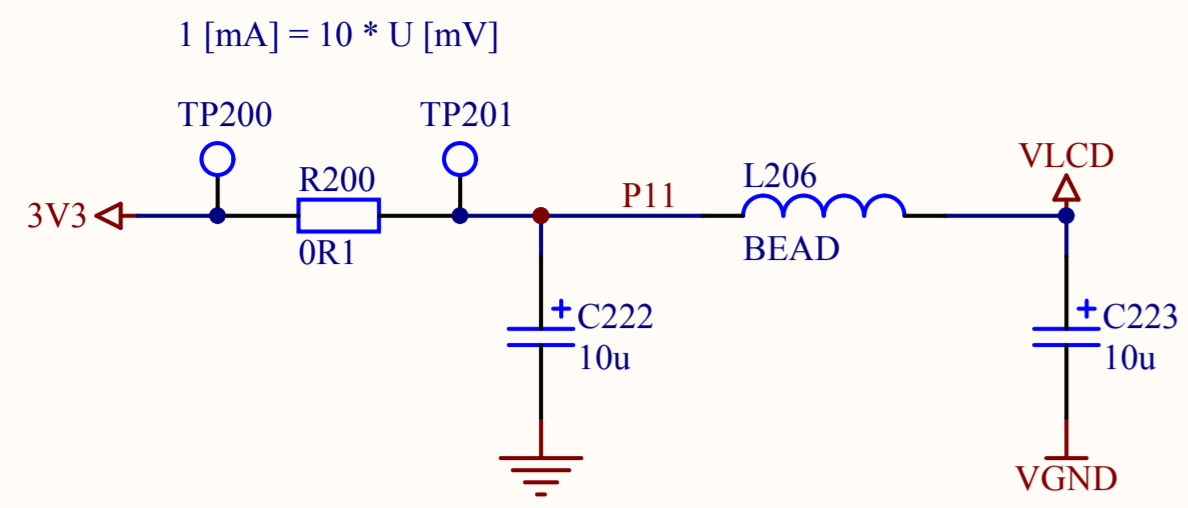
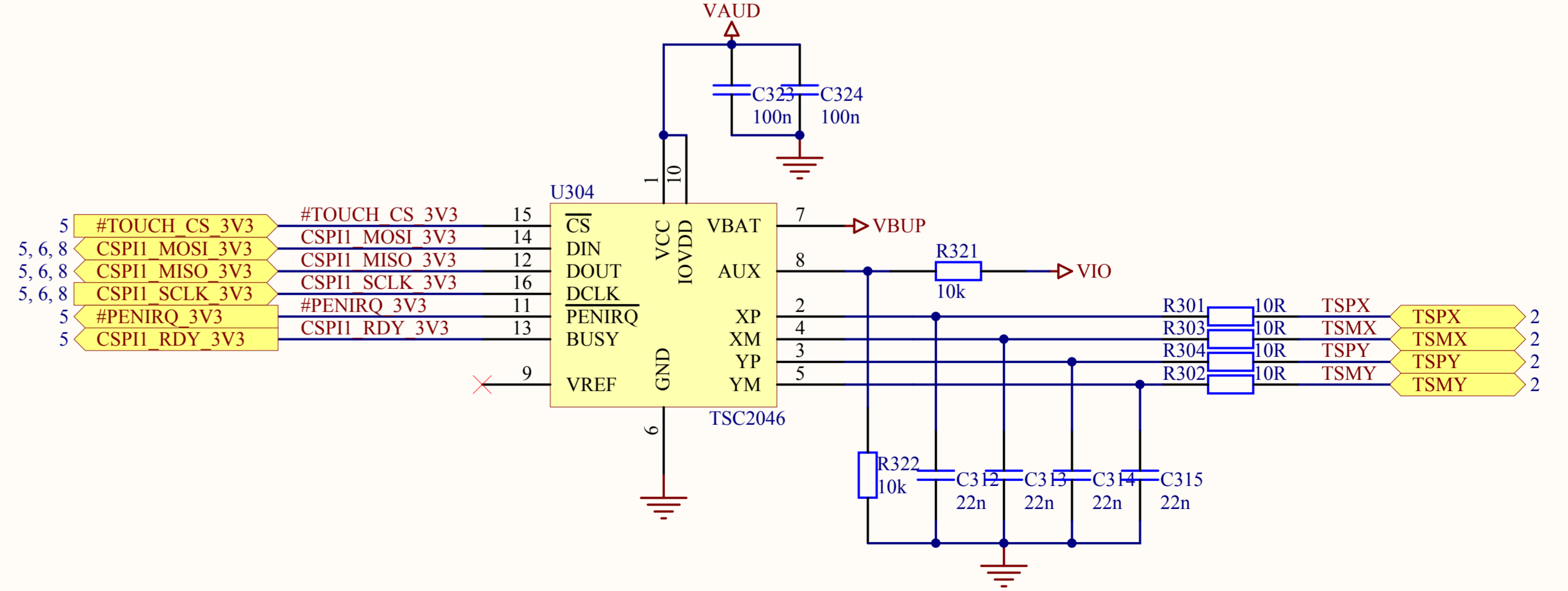
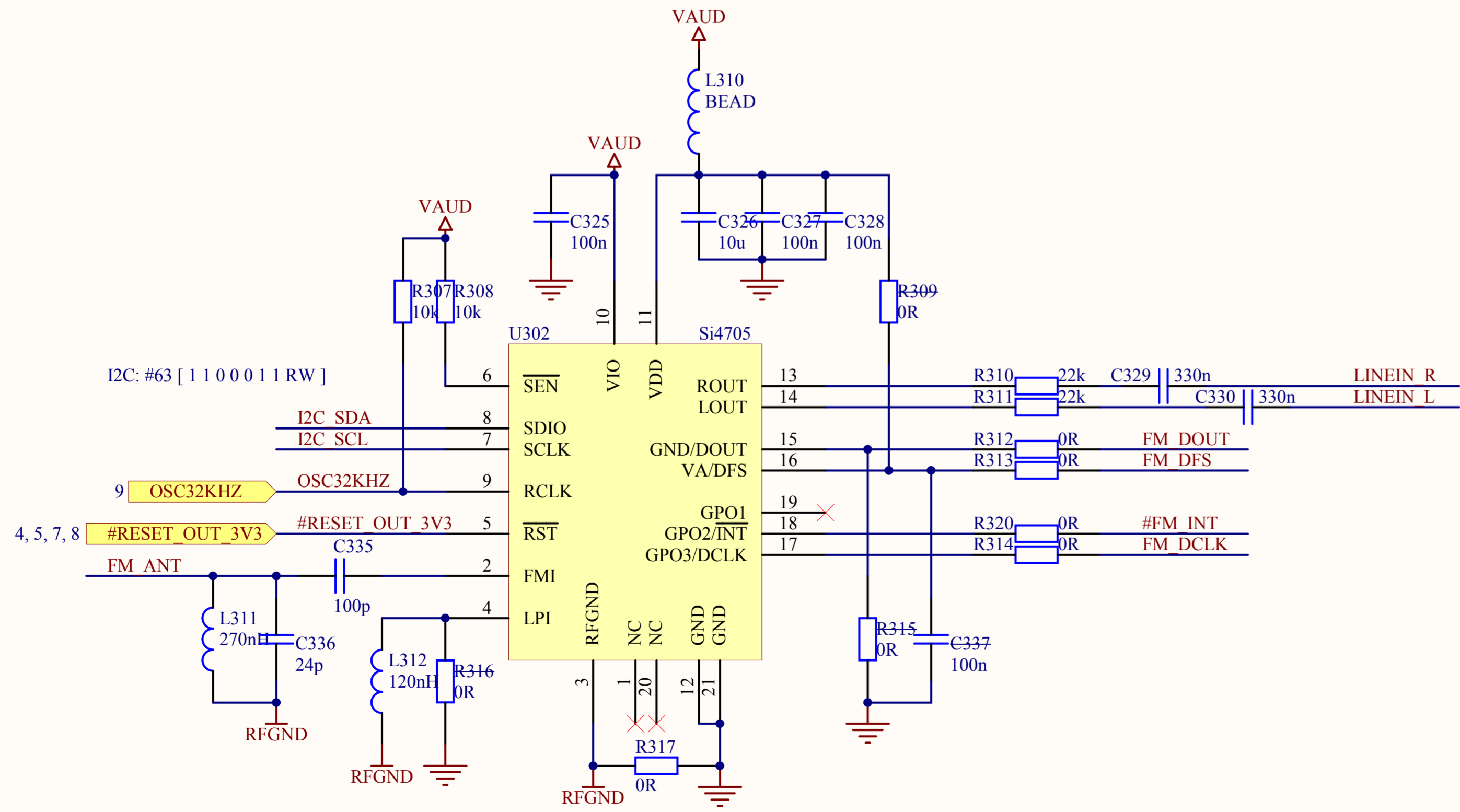
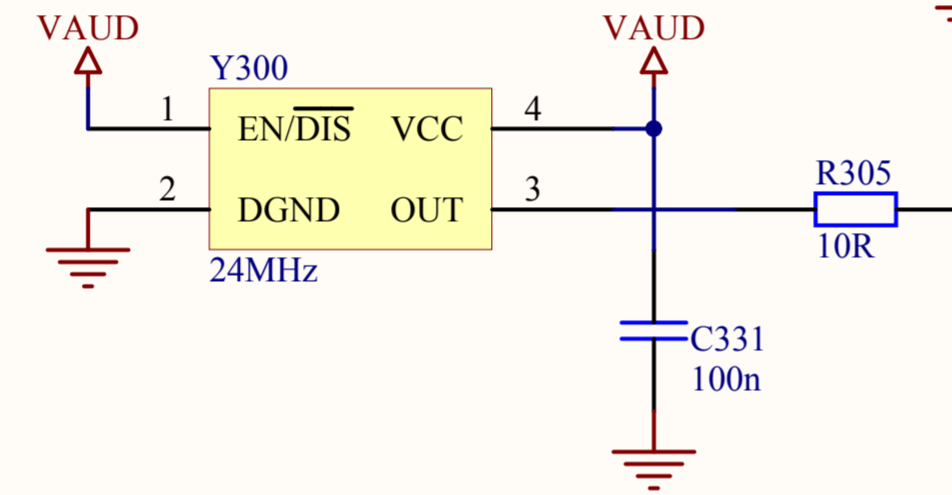
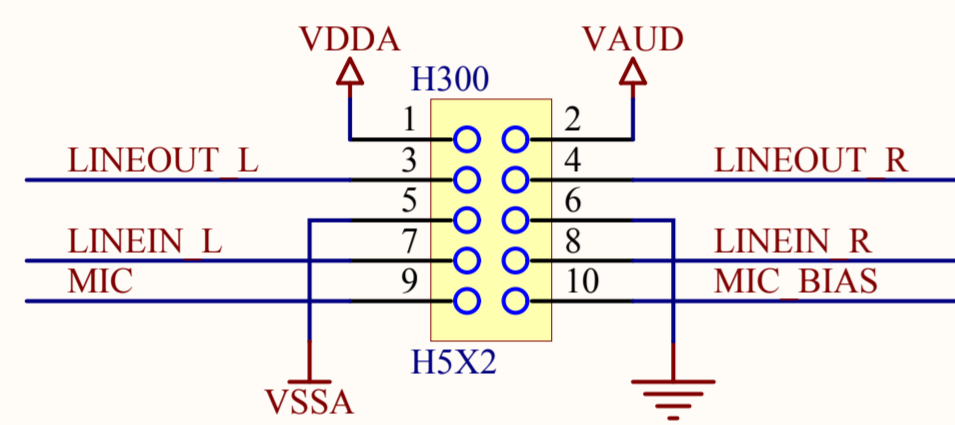
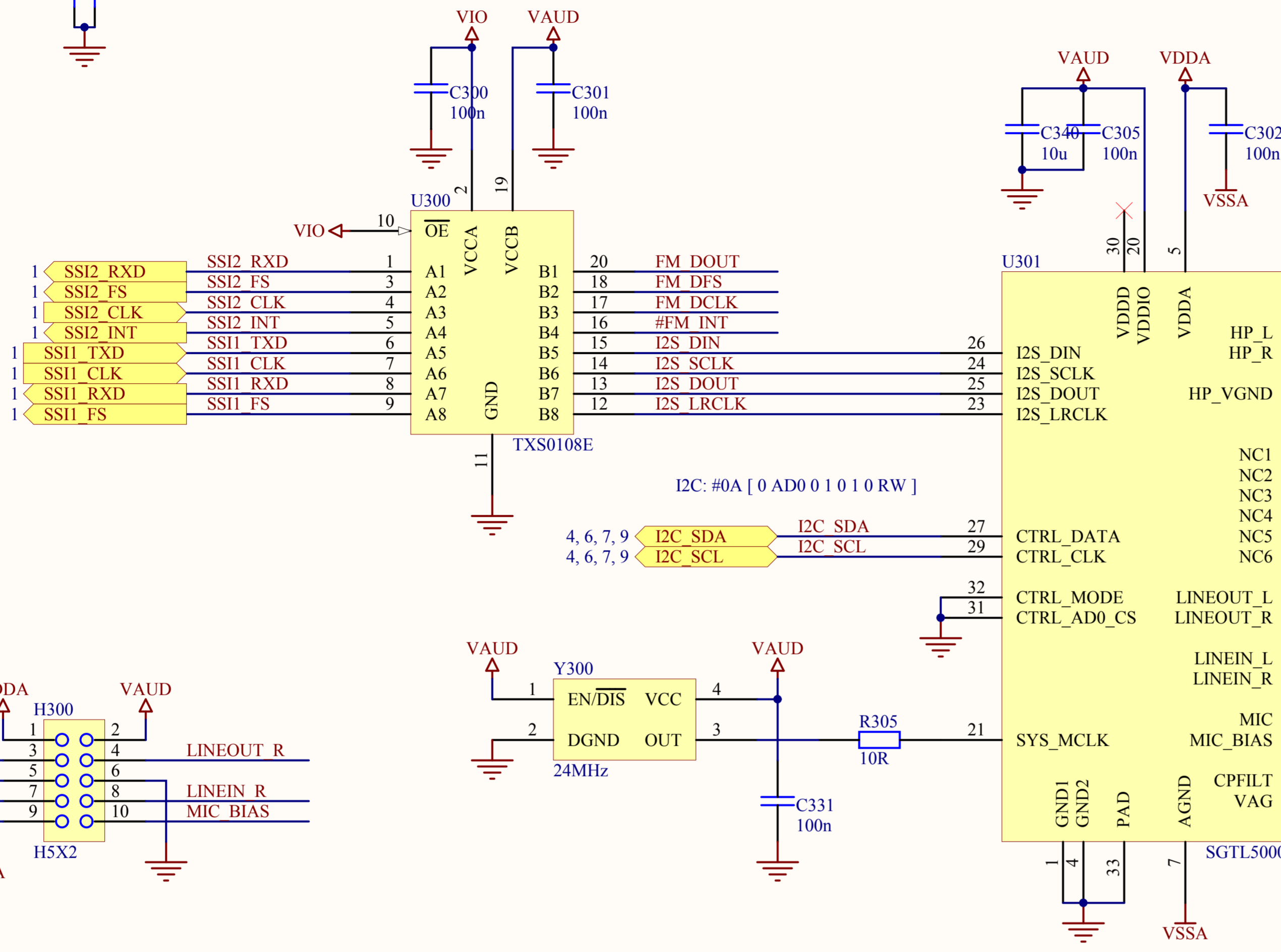
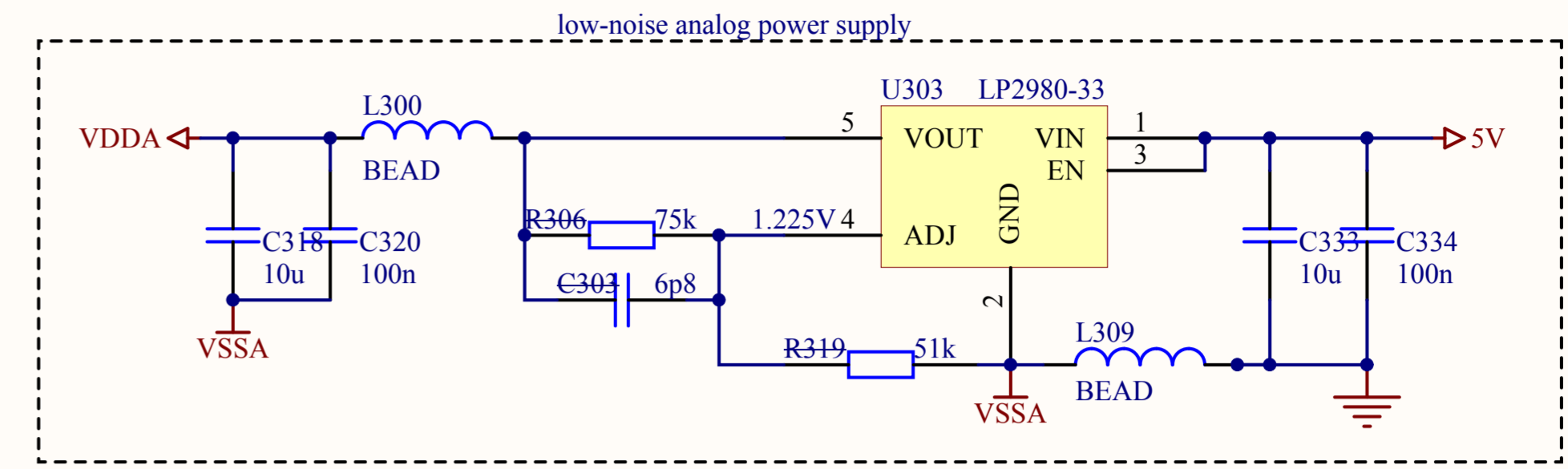
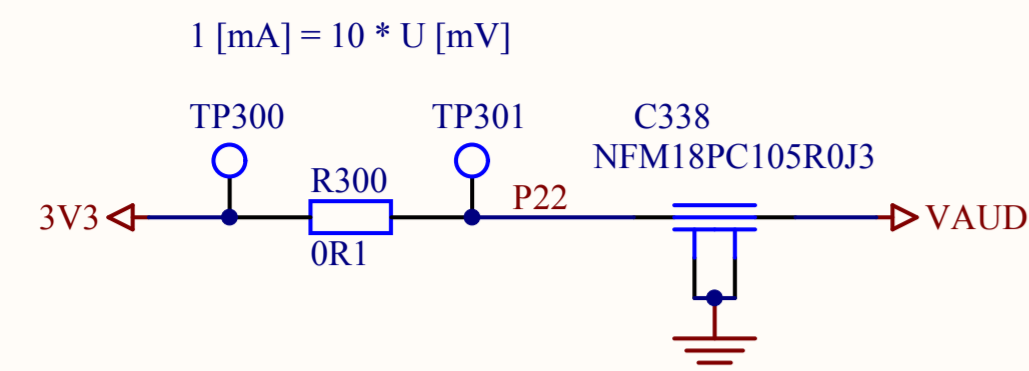


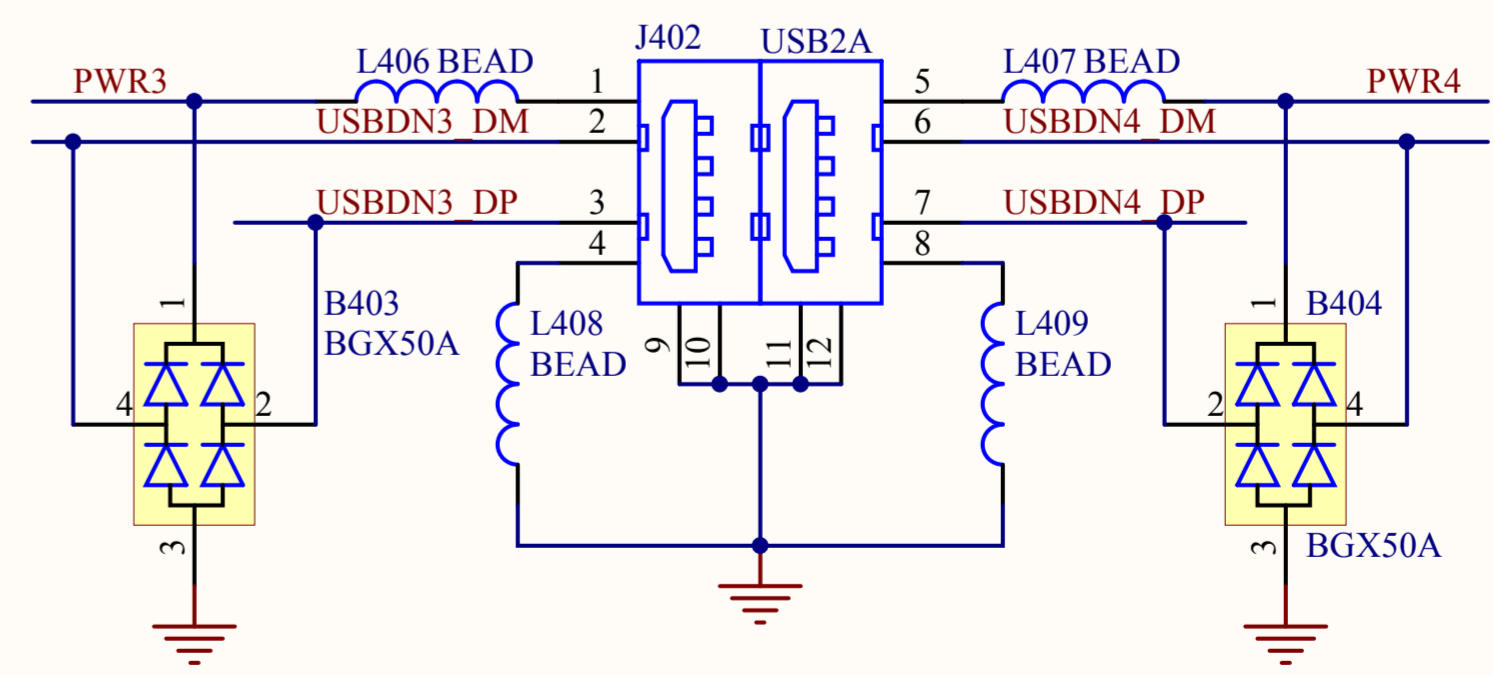
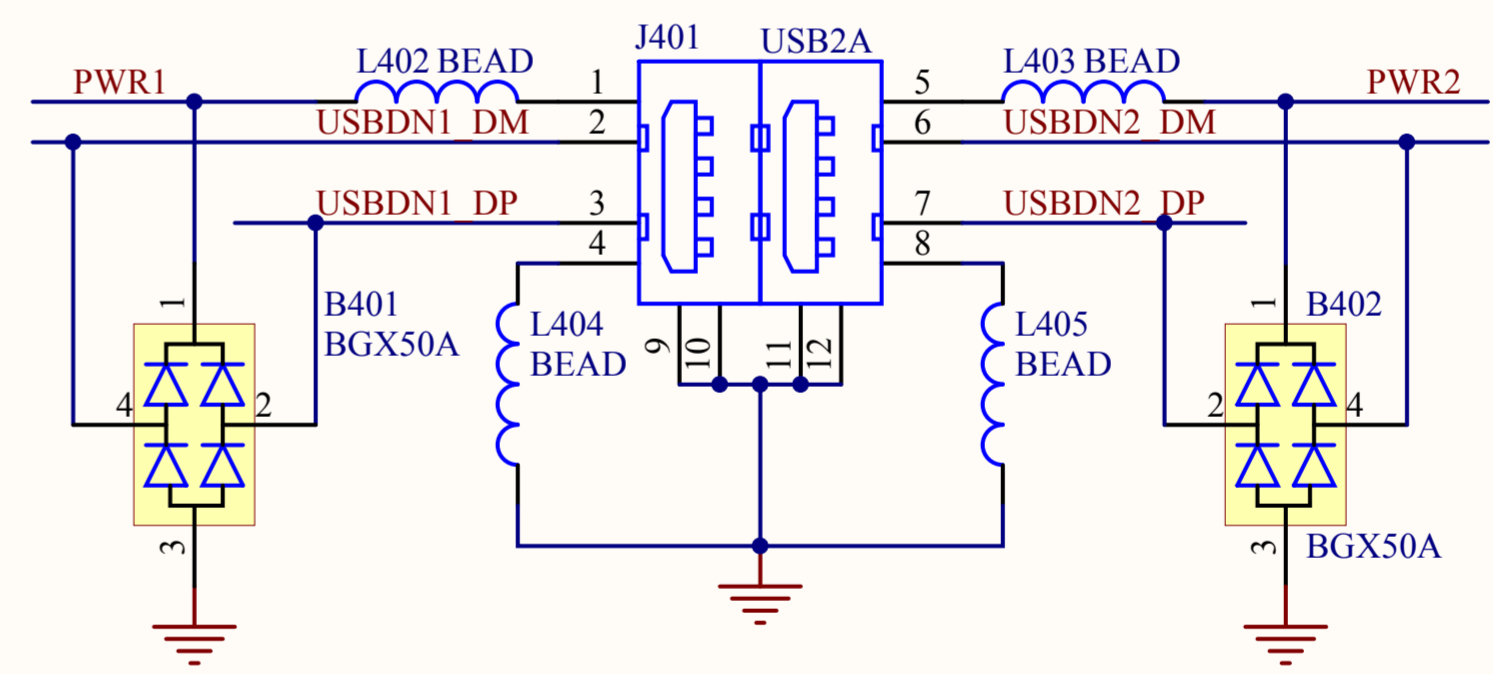
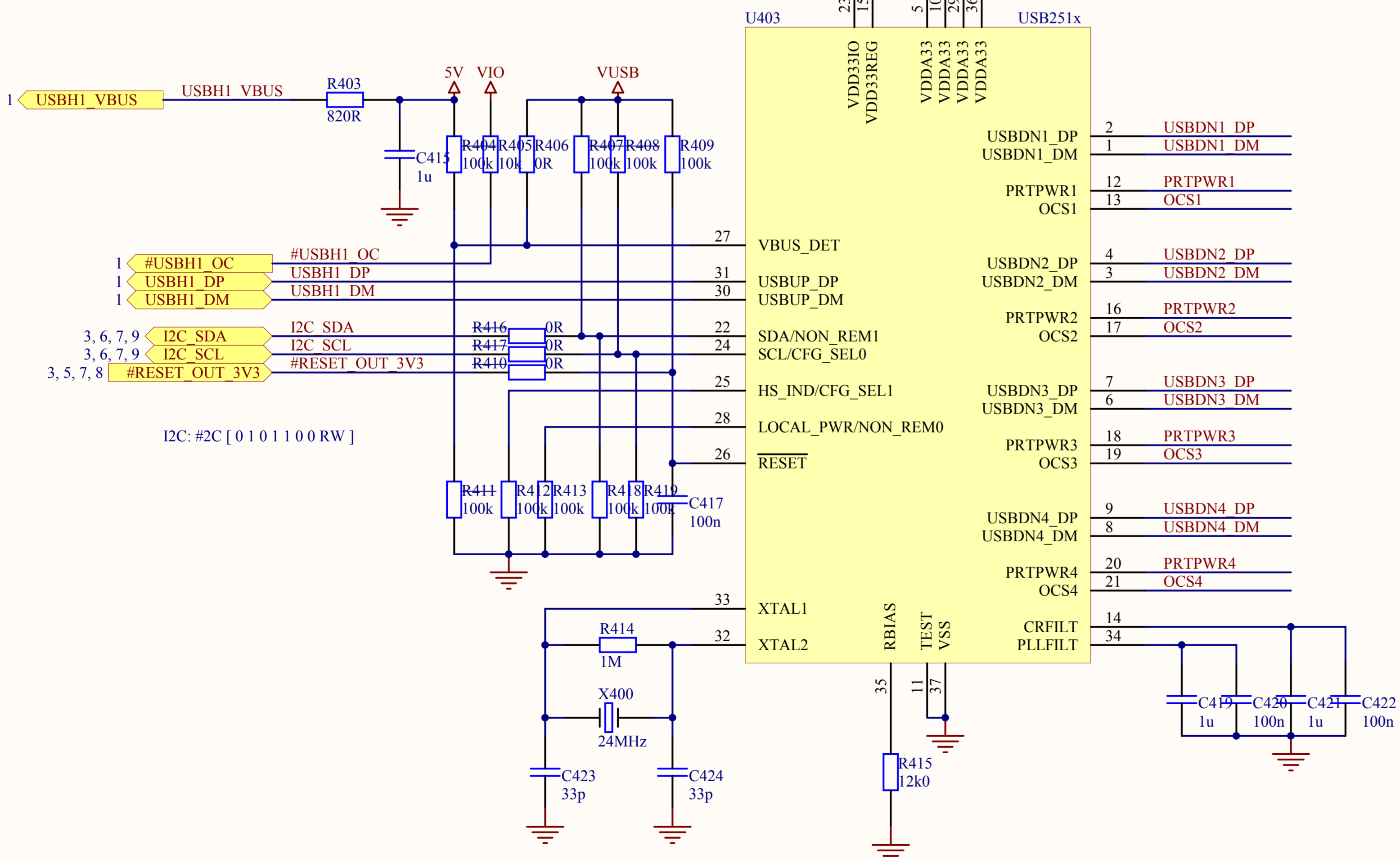
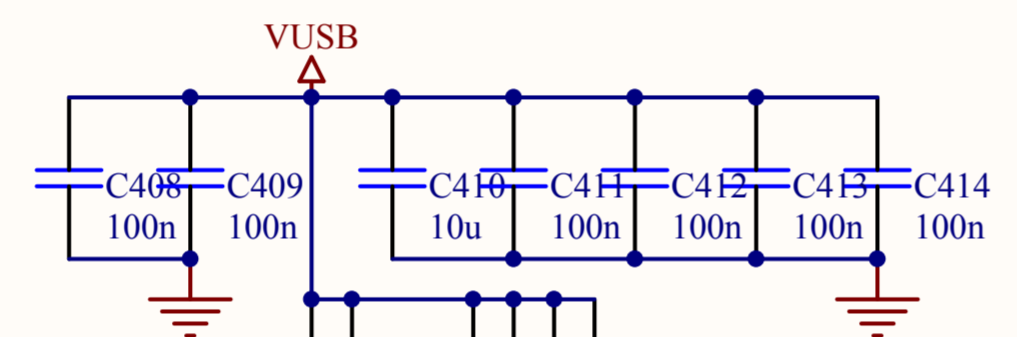
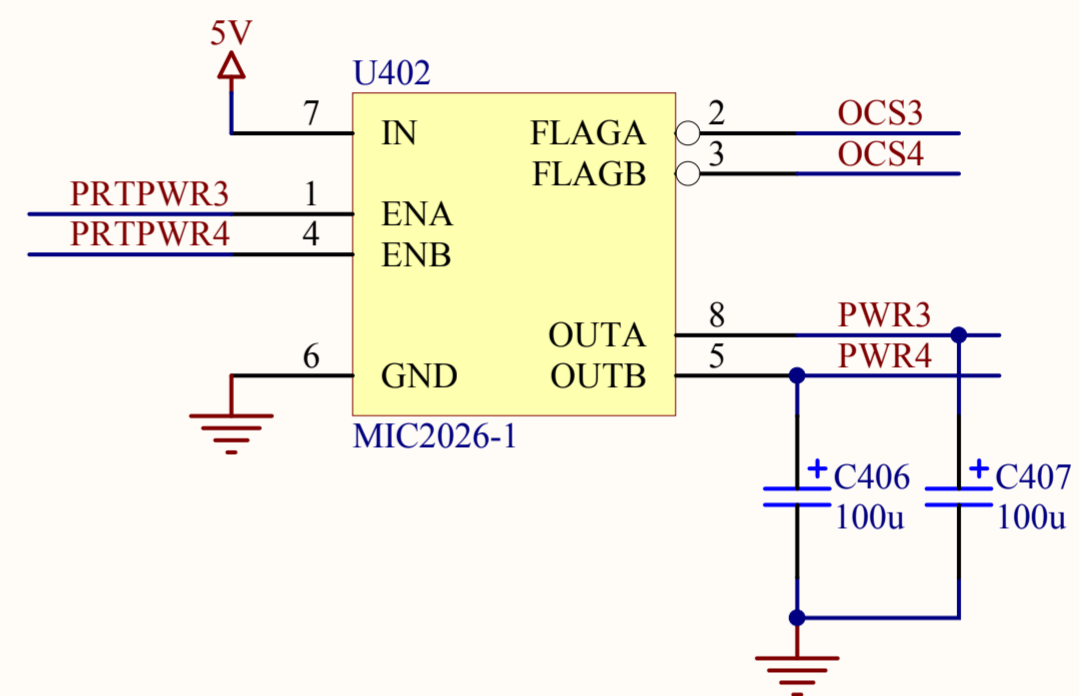
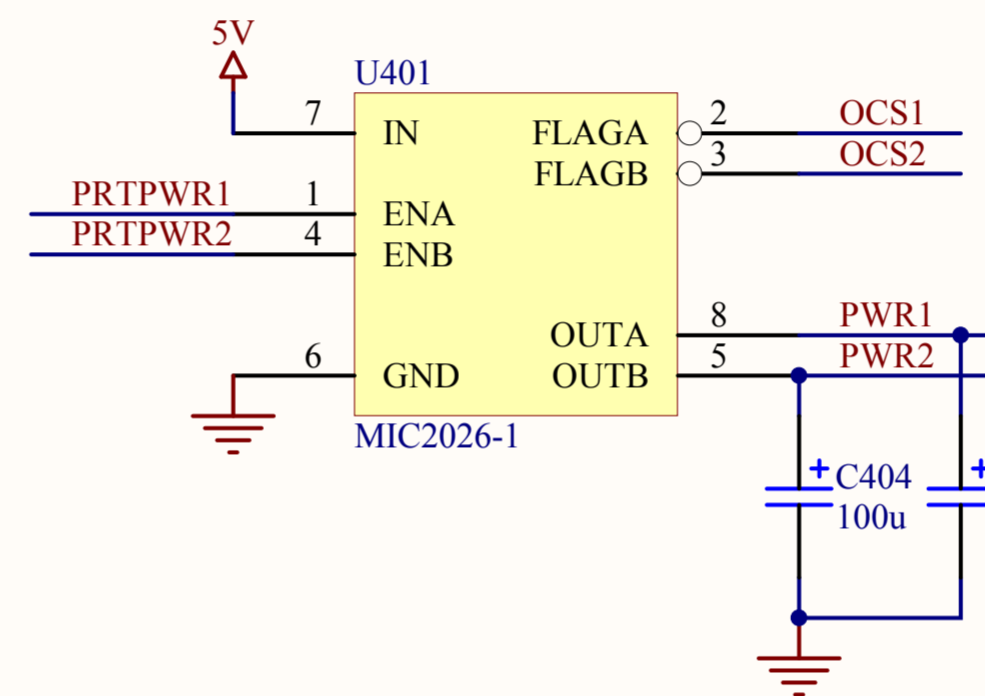
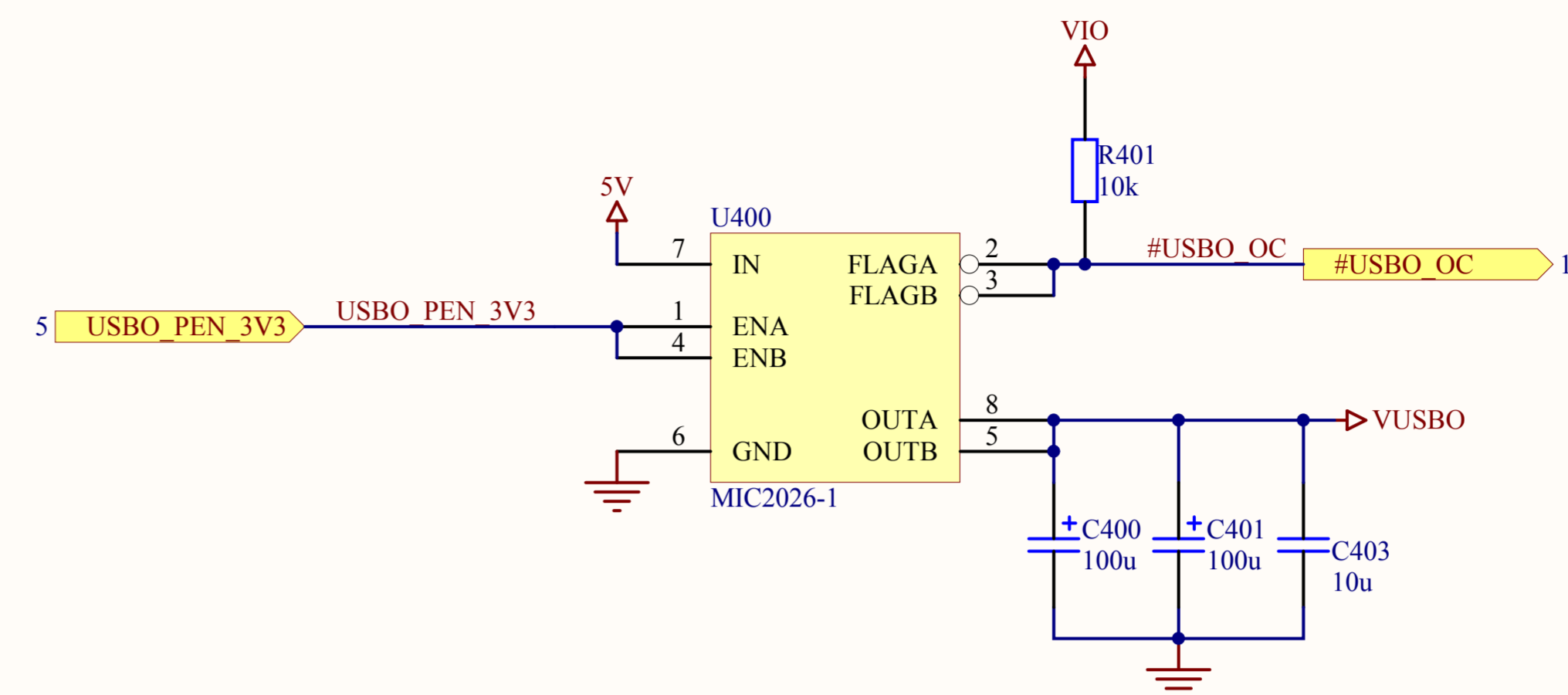
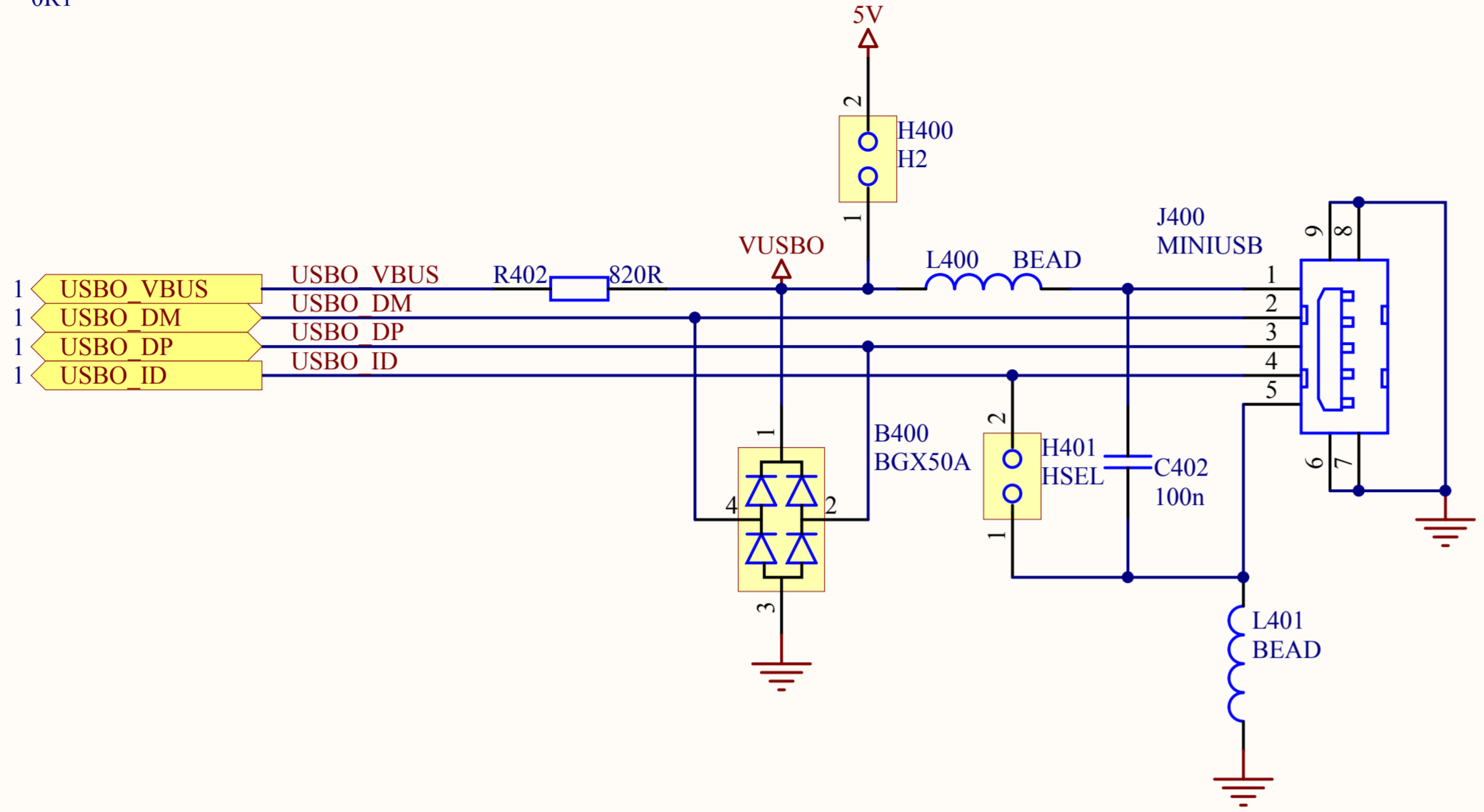
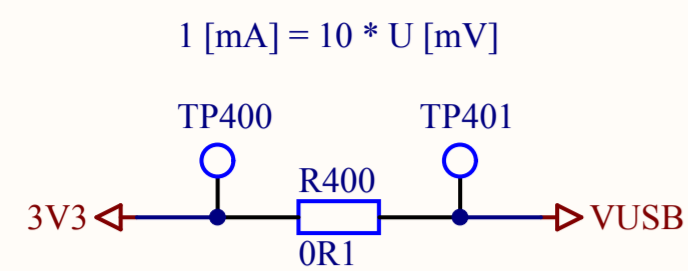
GPIO	DIR	SIG
GPIO0	IN	I2C_INT
GPIO1	IN	NC
GPIO2	OUT	LED0 (RED)
GPIO3	OUT	LED1 (ORANGE)
GPIO4	IN	#CAN_INT
GPIO5	IN	#PENIRQ
GPIO6	IN	SD2_WP
GPIO7	IN	NC
GPIO8	OUT	CAN_CS
GPIO9	OUT	TOUCH_CS
GPIO10	OUT	NC
GPIO11	OUT	PSAVE



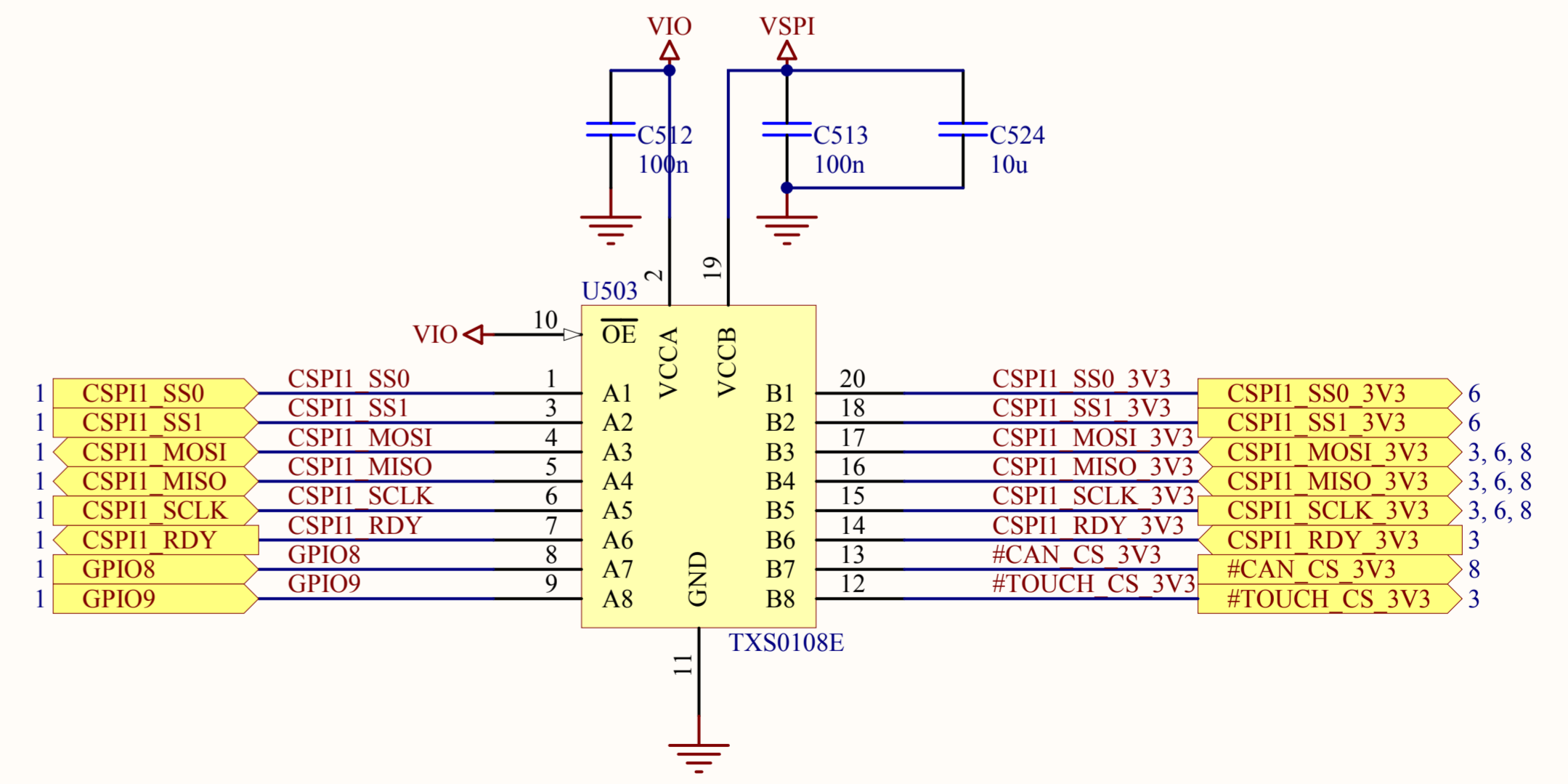
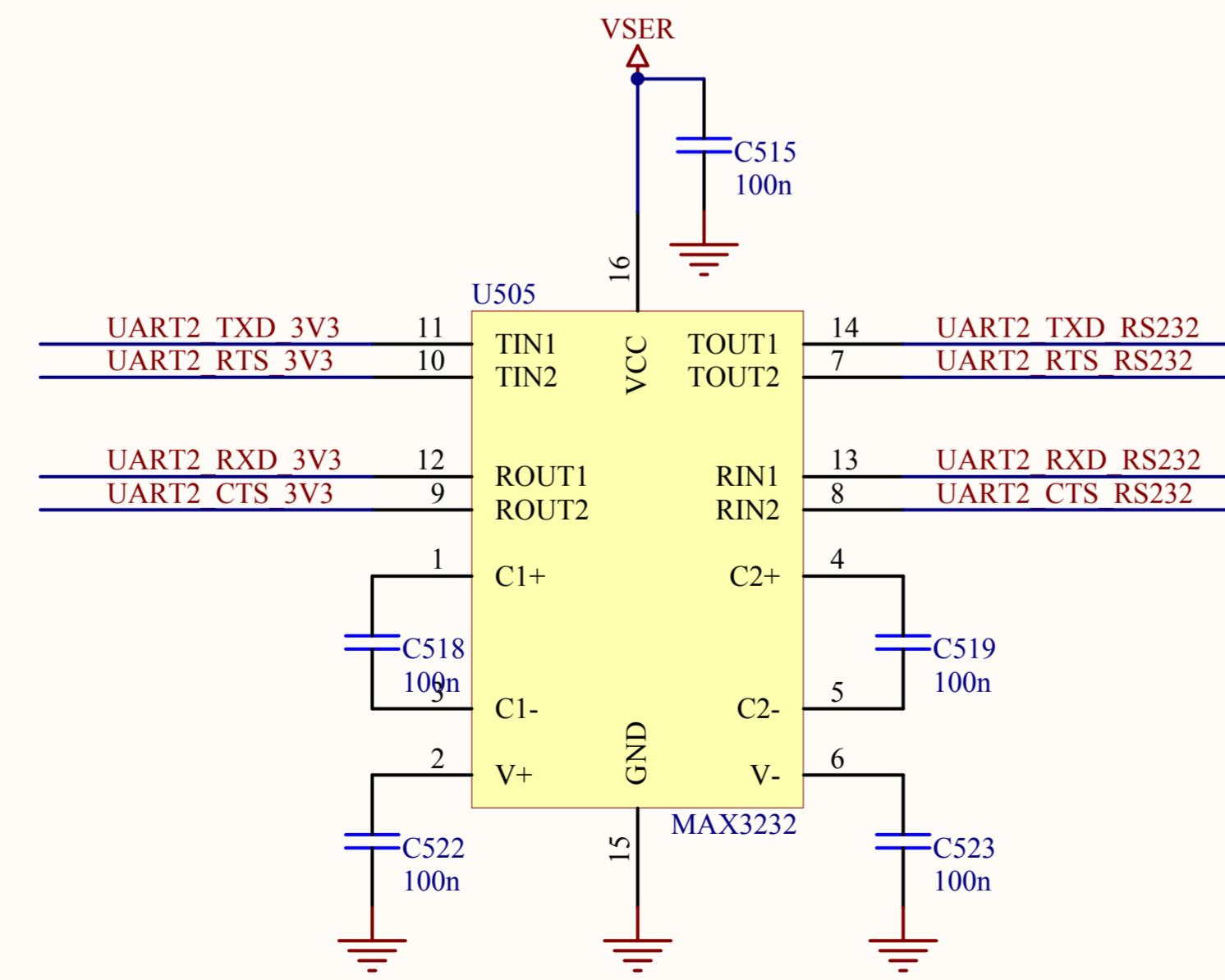
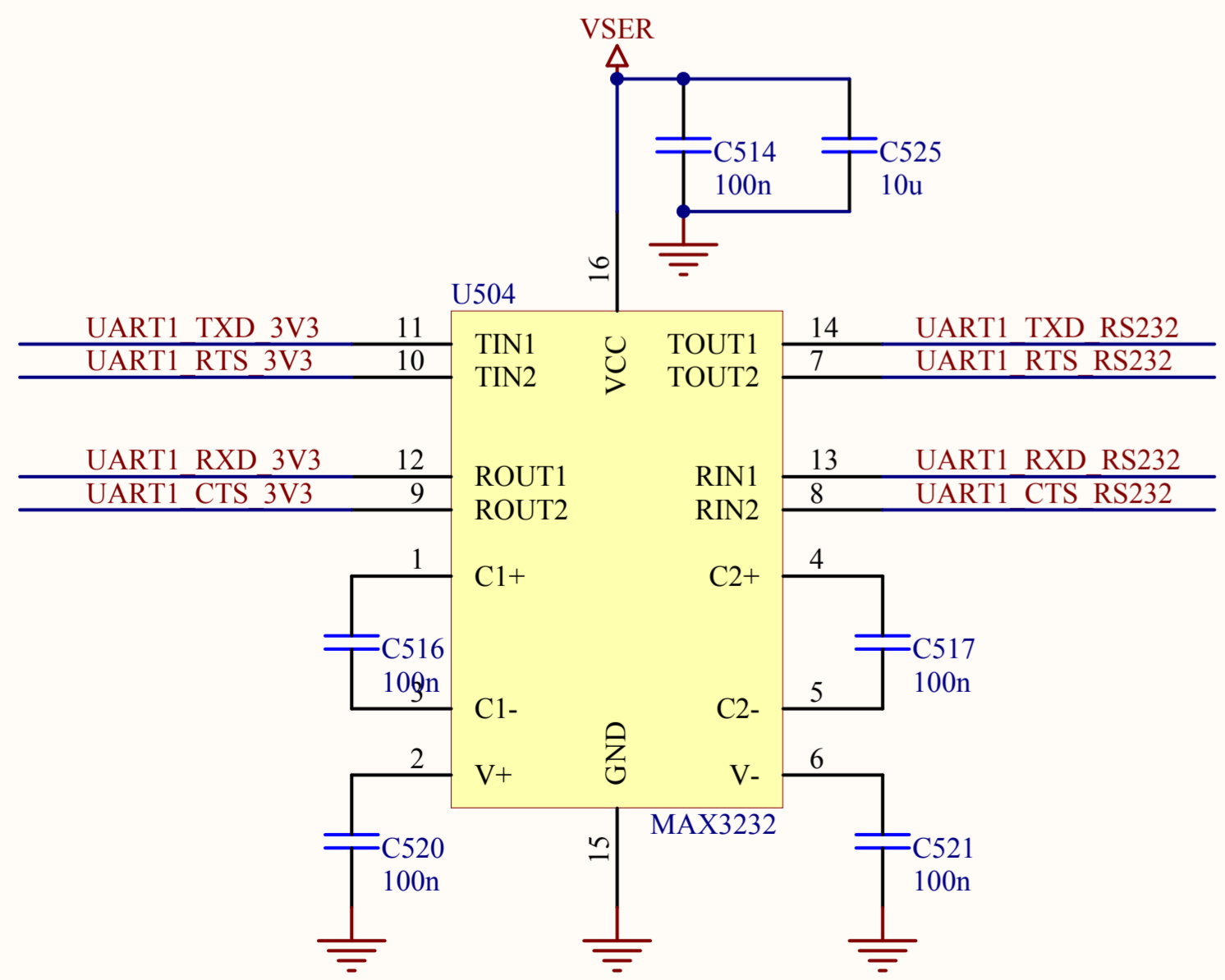
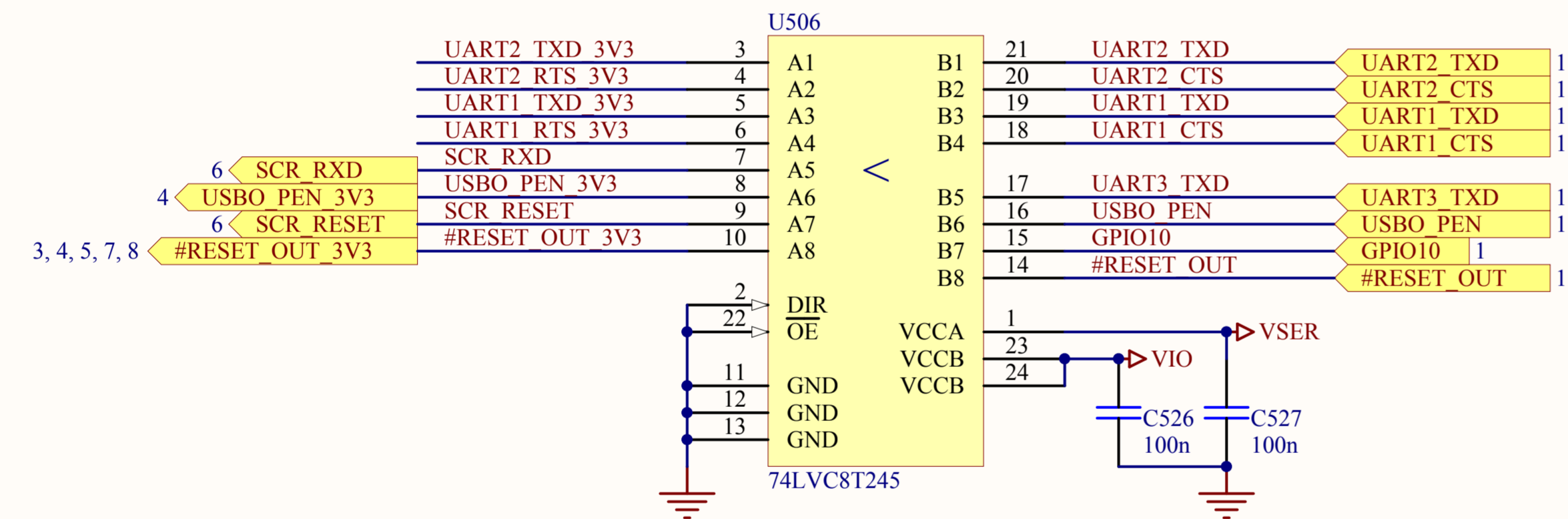
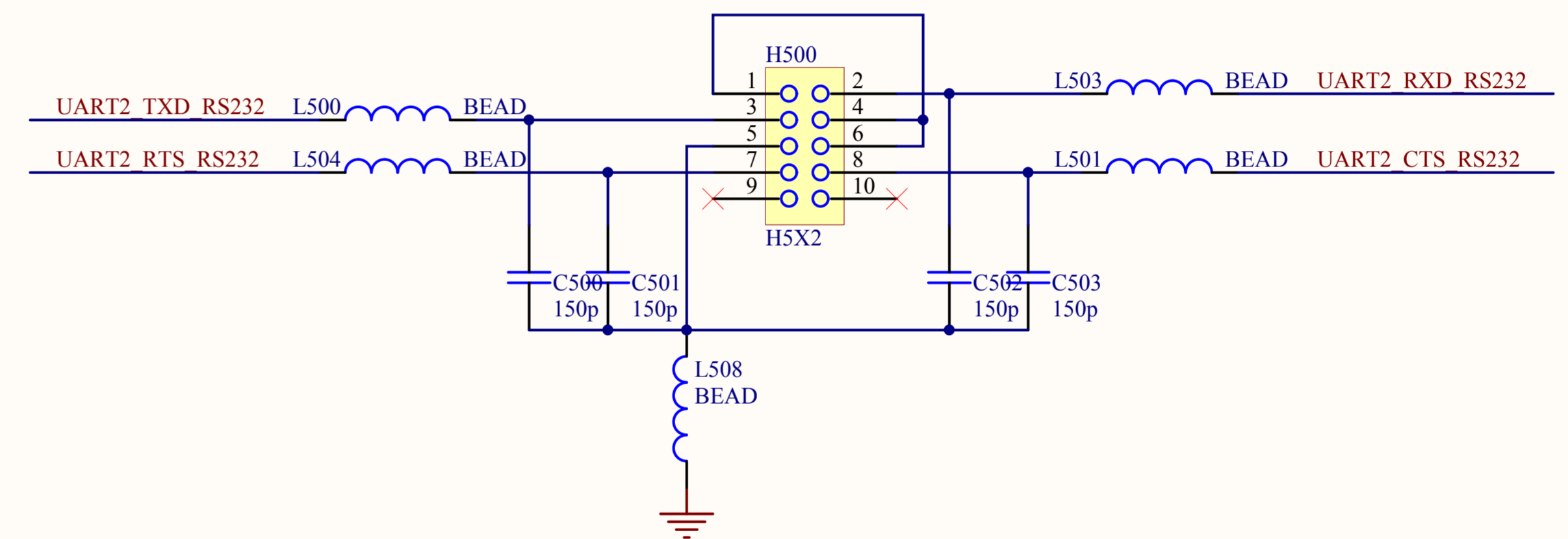
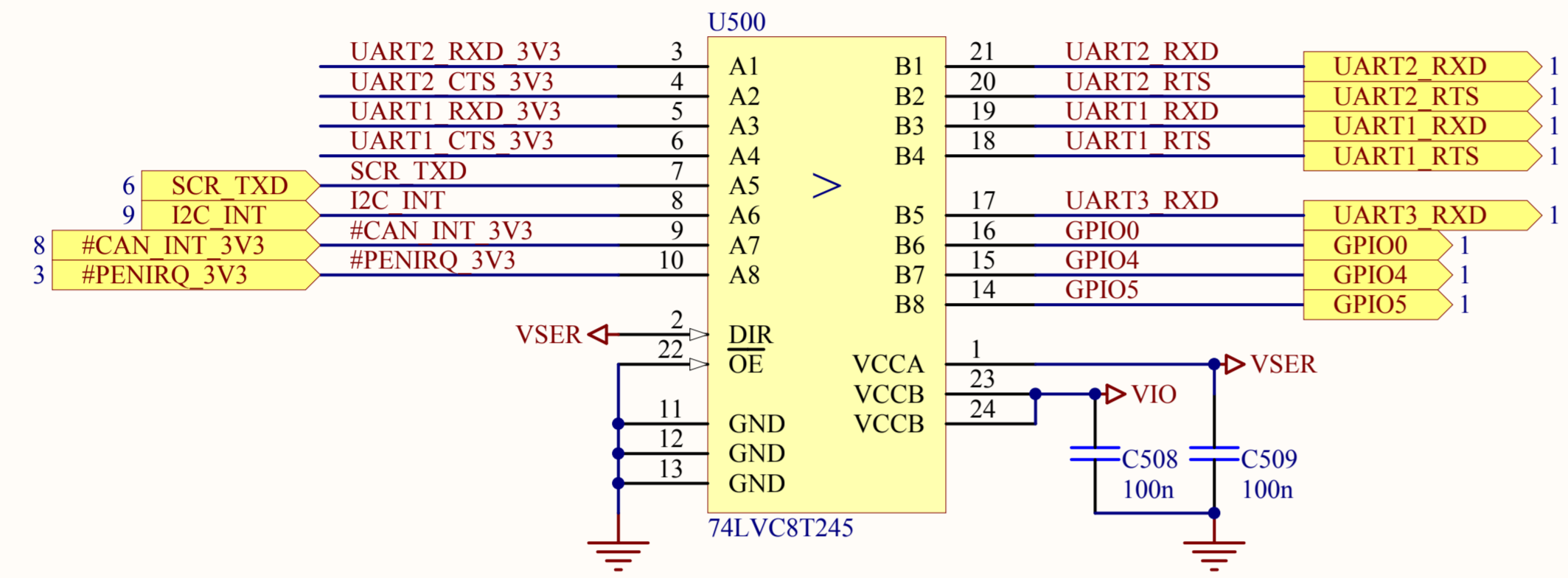
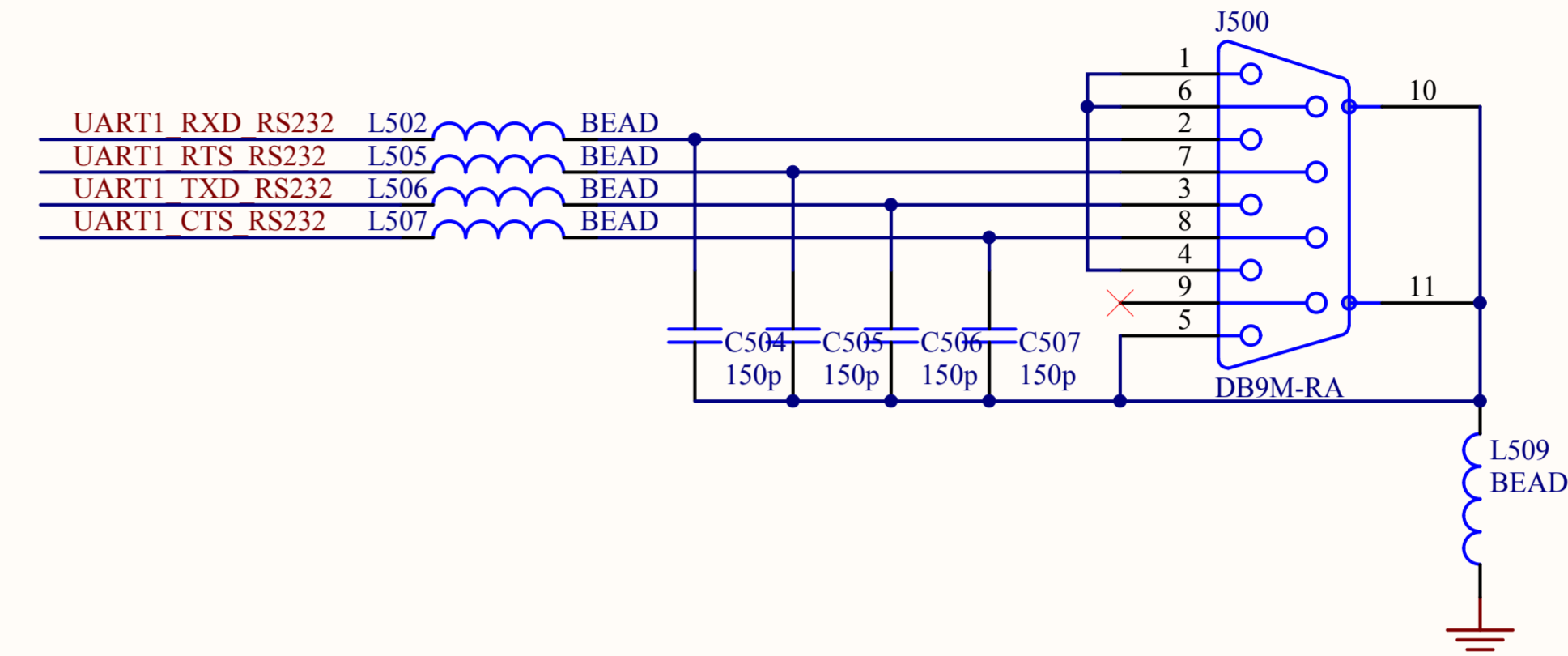
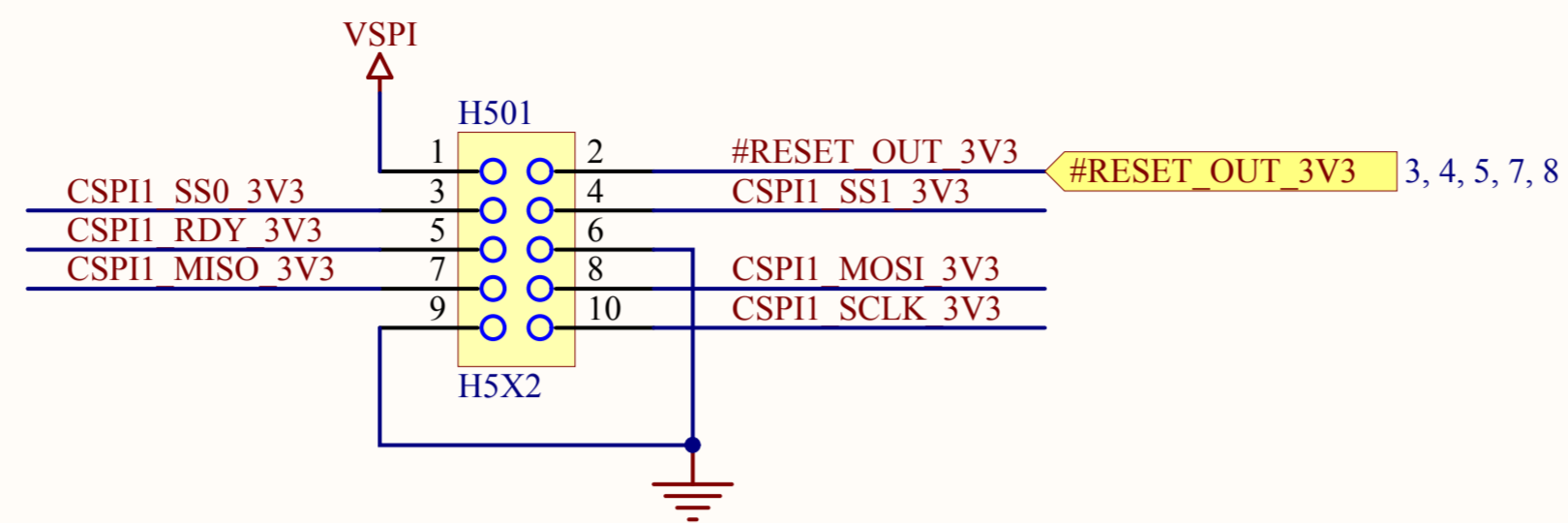
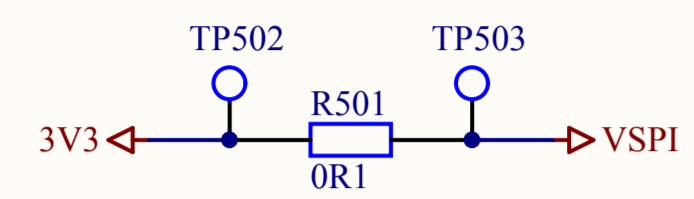
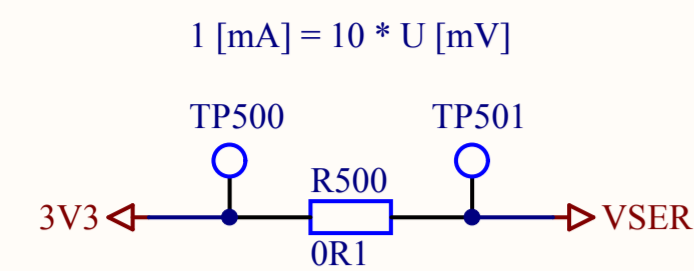
Title			IMXBB
Size	A3	Number	
Date:	10/26/2010	Revision	2.0
File:	C:\Program Files\...imxbbled.SchDoc	Sheet 2 of 9	Drawn By:



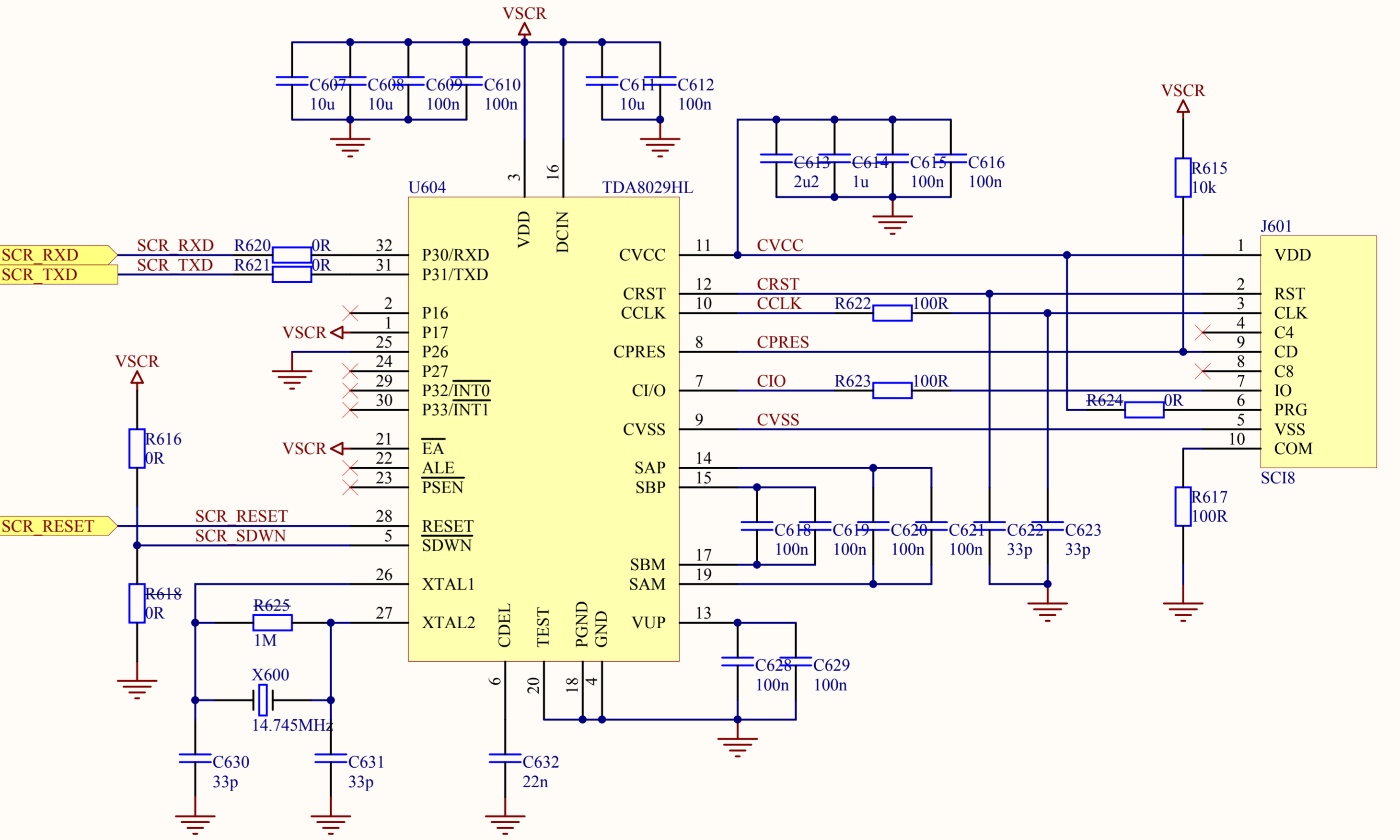
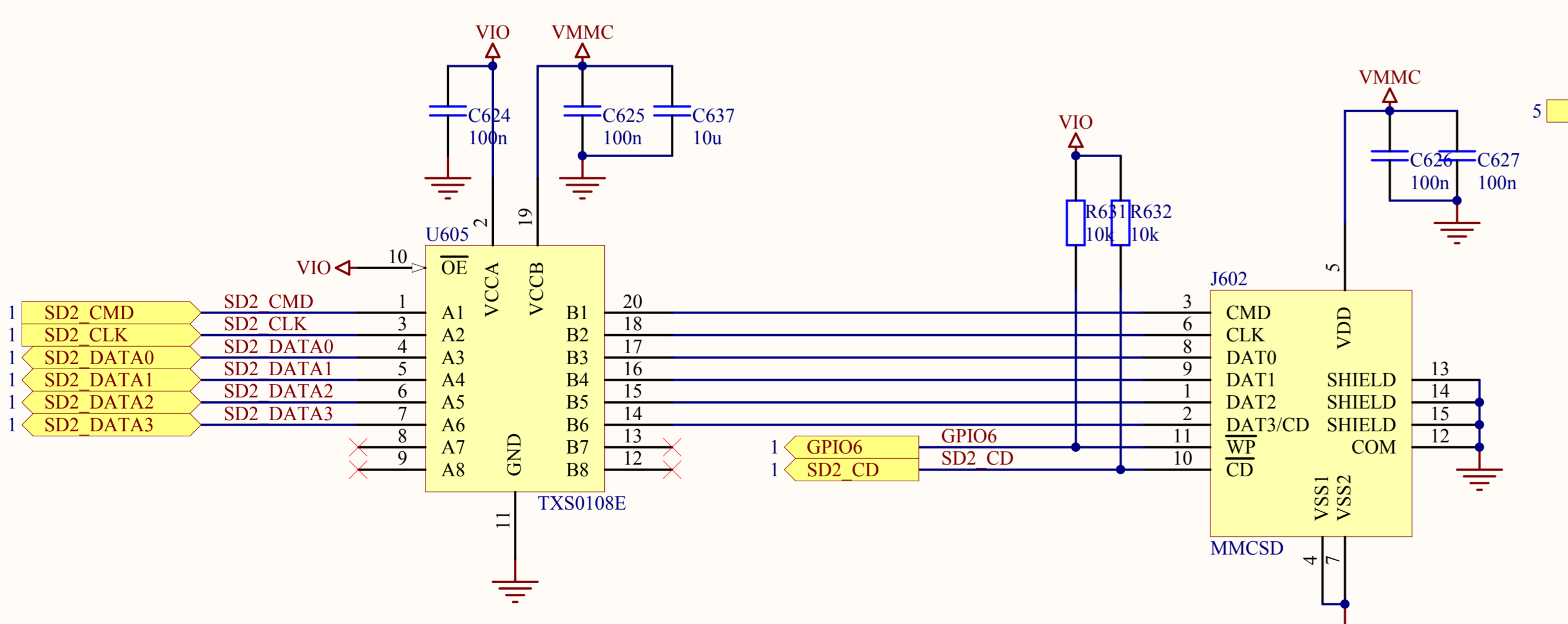
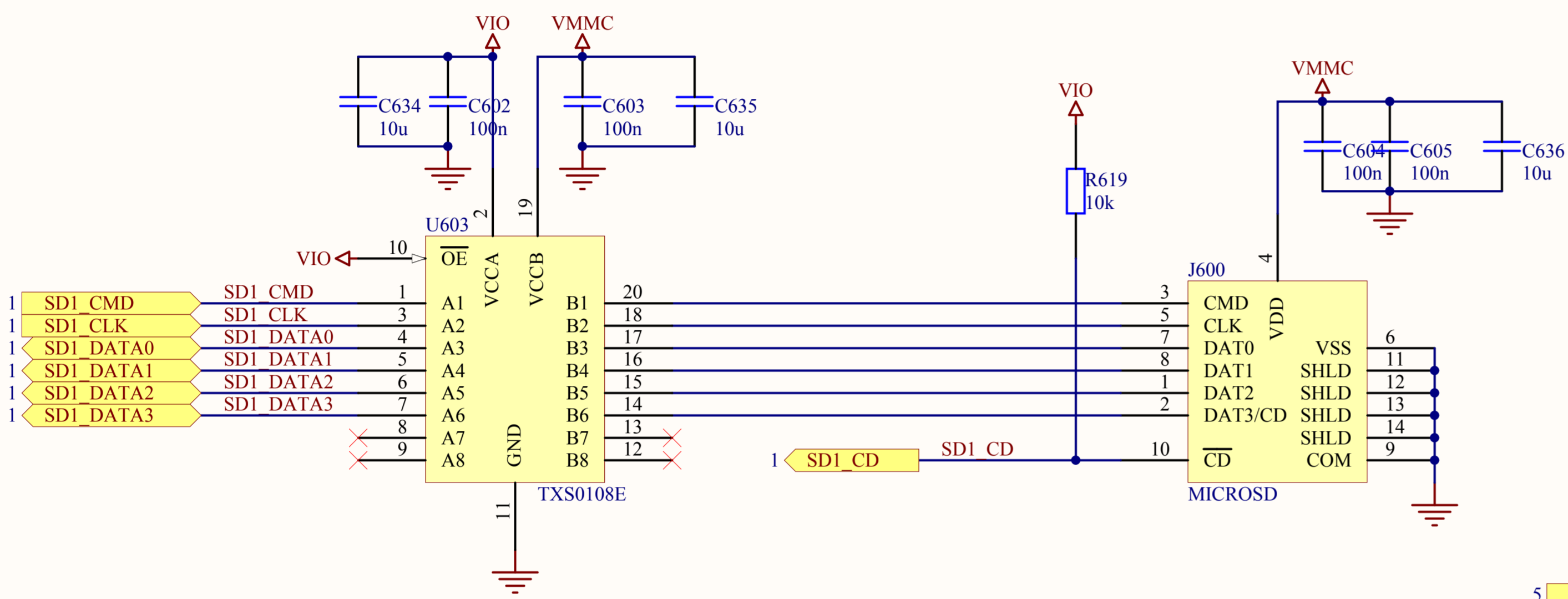
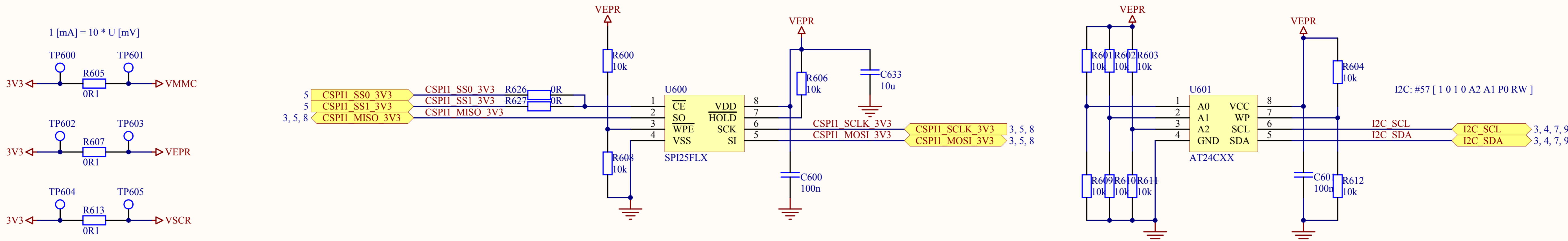
Title		
IMXBB		
Size	Number	Revision
A3		2.0
Date:	10/26/2010	Sheet 3 of 9
File:	C:\Program Files\imxbbaudio.SchDoc	Drawn By:



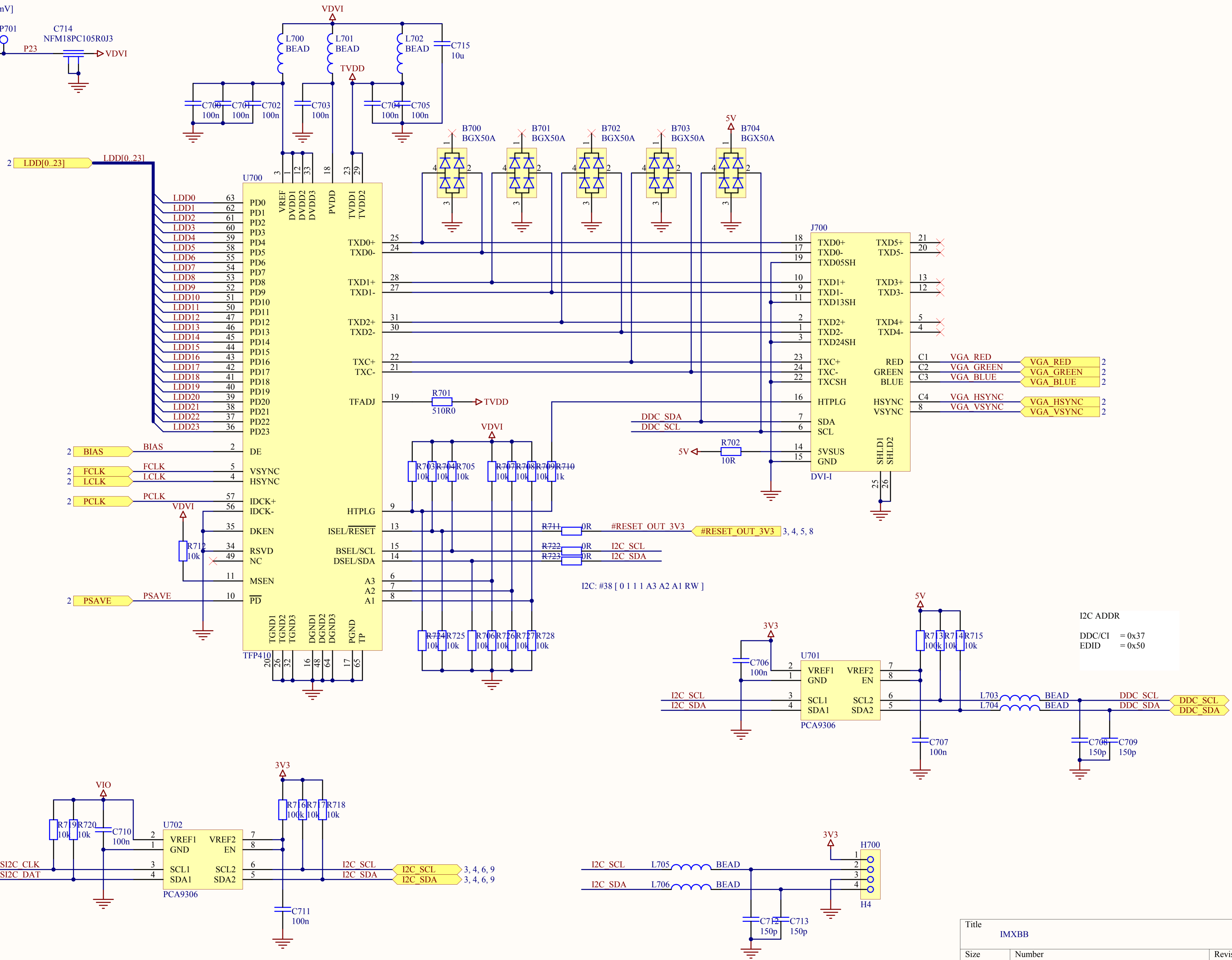
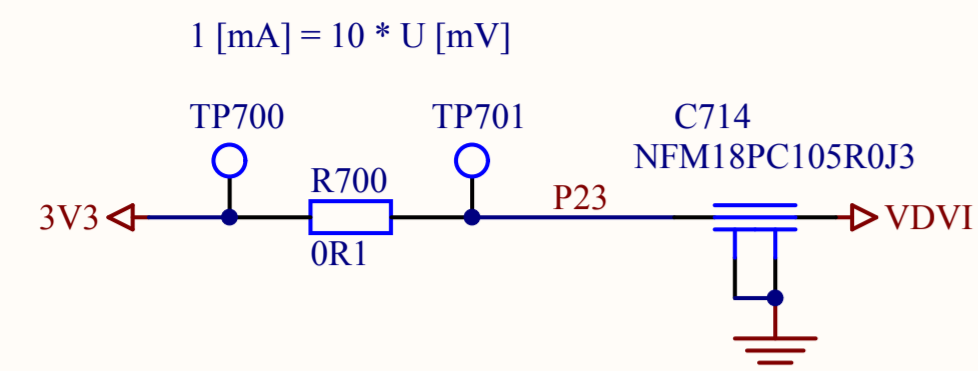
Title			IMXBB
Size	Number	Revision	
A3		2.0	
Date:	10/26/2010	Sheet 4 of 9	
File:	C:\Program Files\imxbus\SchDoc	Drawn By:	



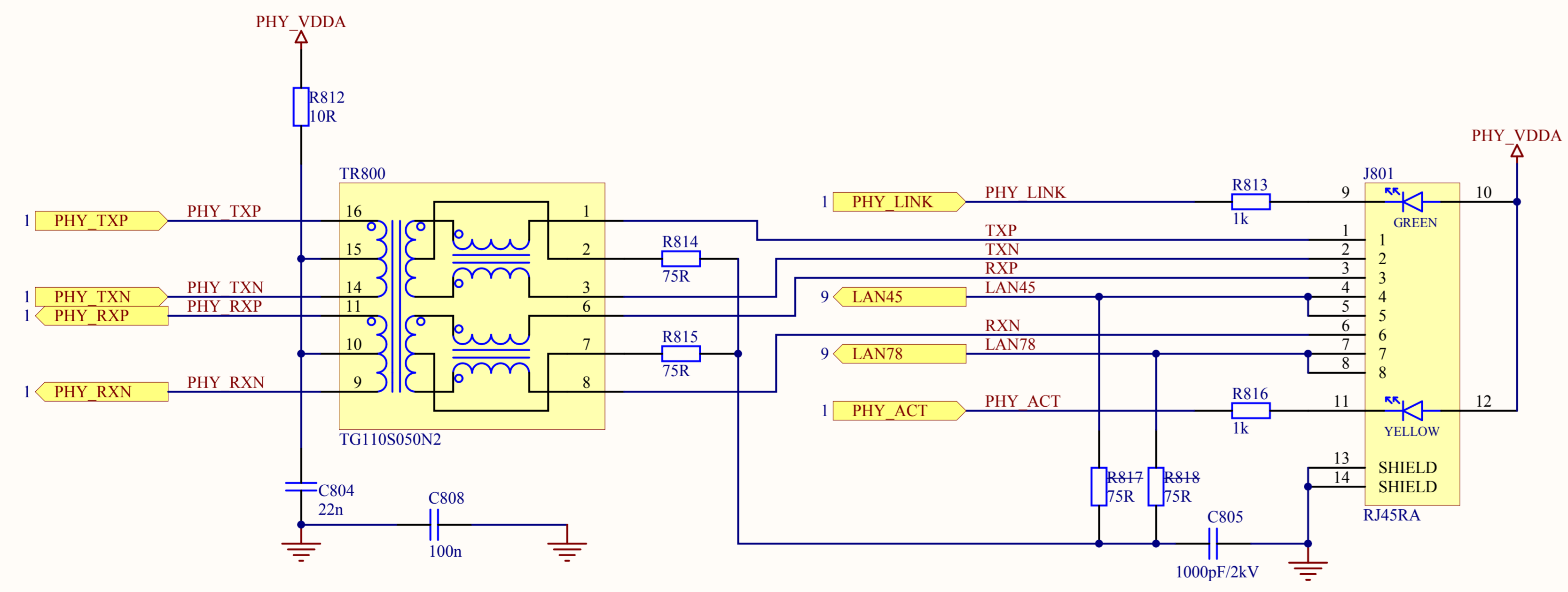
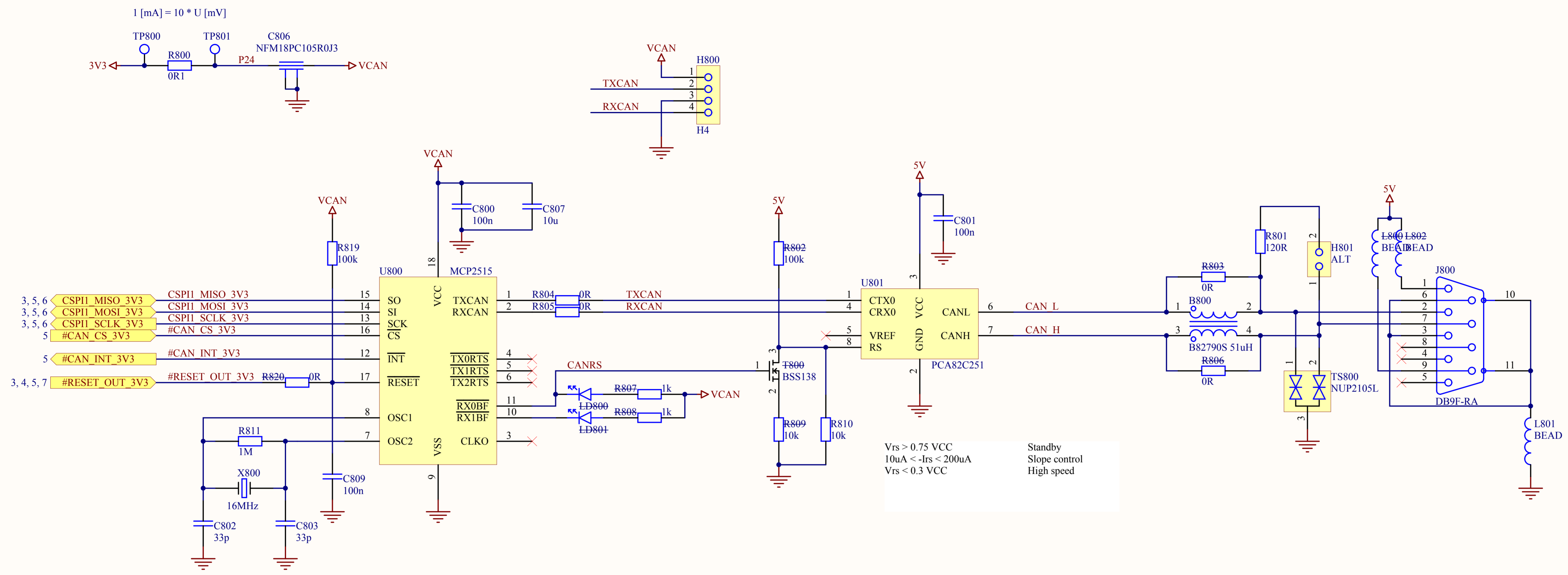
Title			IMXBB
Size	Number	Revision	
A3		2.0	
Date:	10/26/2010	Sheet 5 of 9	
File:	C:\Program Files\imxbb232.SchDoc	Drawn By:	



Title		
IMXBB		
Size	Number	Revision
A3		2.0
Date:	10/26/2010	Sheet 6 of 9
File:	C:\Program Files\imxbmmc.SchDoc	Drawn By:

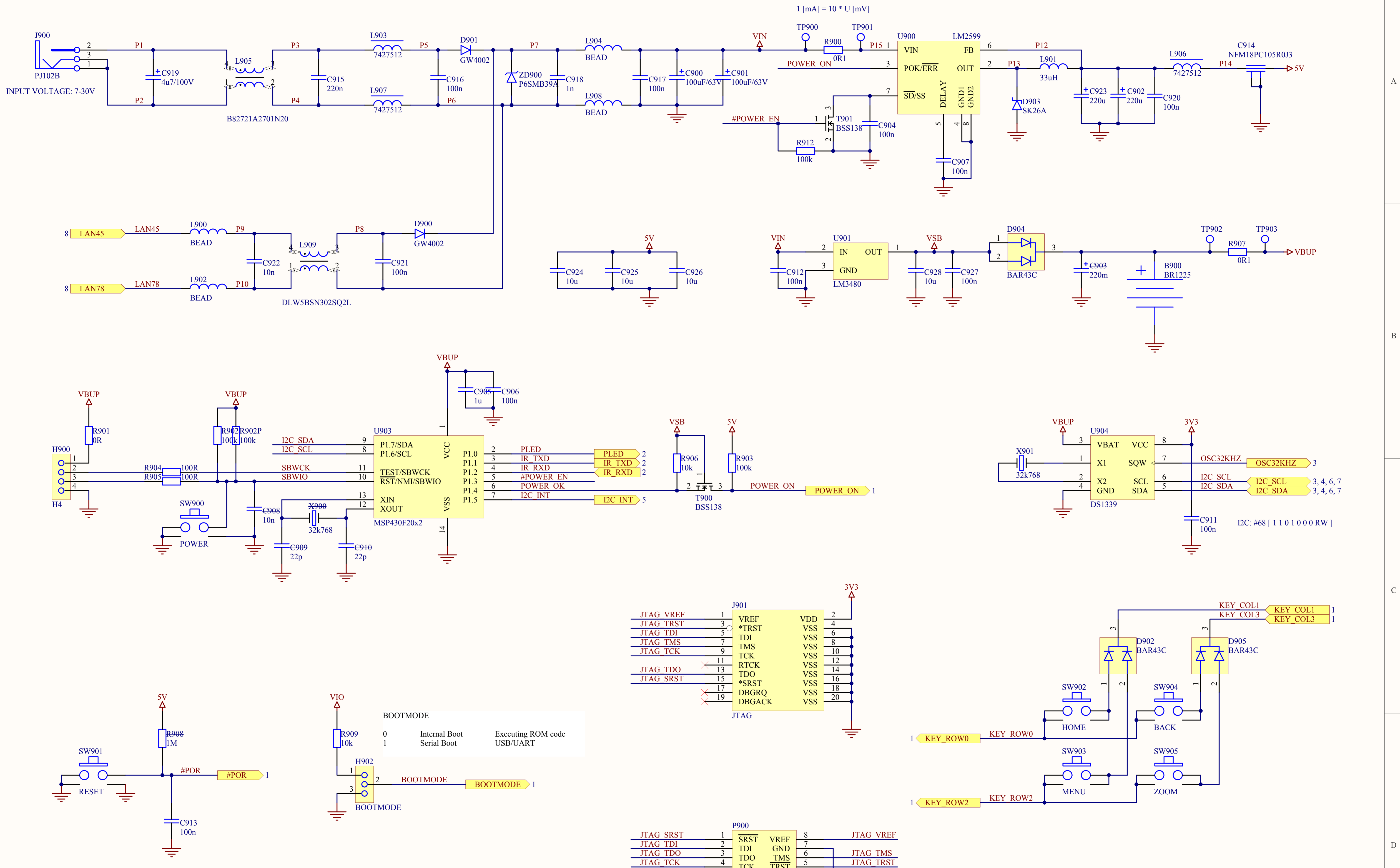


Title		IMXBB
Size	Number	Revision
A3		2.0
Date:	10/26/2010	Sheet 7 of 9
File:	C:\Program Files\imxbddvi.SchDoc	Drawn By:



Title		IMXBB	
Size	A3	Number	
Revision		2.0	
Date:	10/26/2010	Sheet	8 of 9
File:	C:\Program Files\...\imxbbnet.SchDoc	Drawn By:	





Title			IMXBB
Size	A3	Number	Revision 2.0
Date:	10/26/2010	Sheet	9 of 9
File:	C:\Program Files\imxbbpwr.SchDoc	Drawn By:	