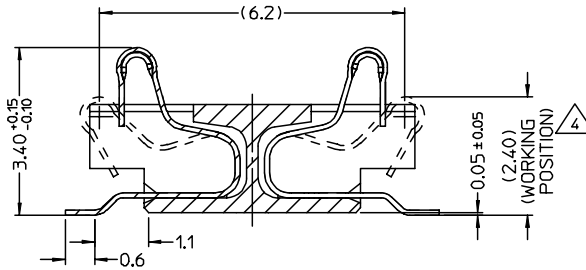
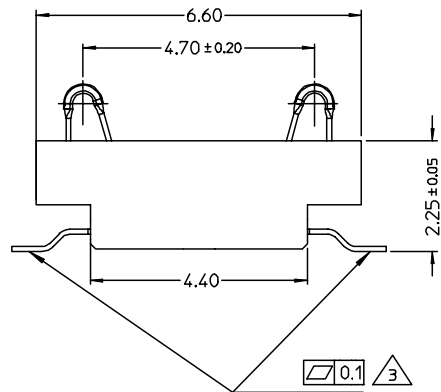
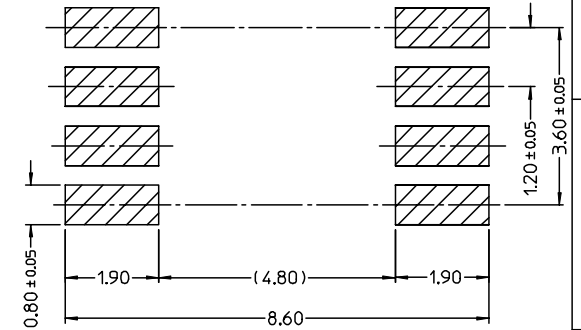
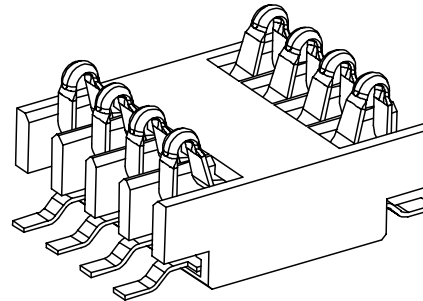
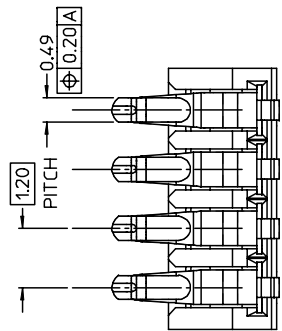
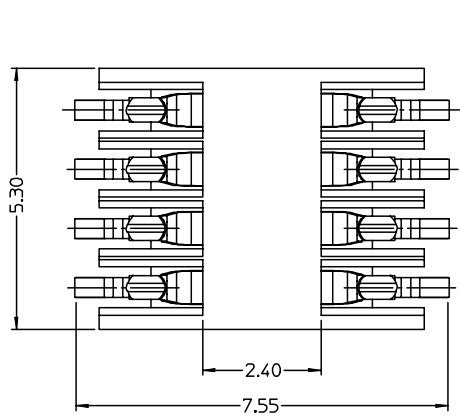


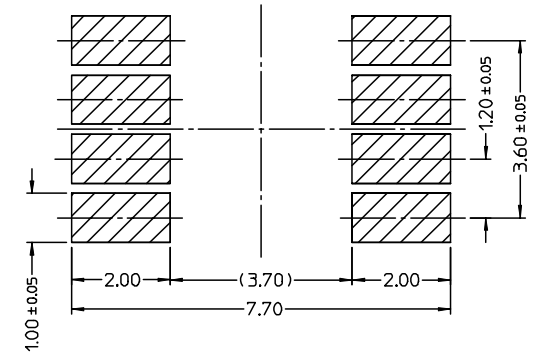
10 9 8 7 6 5 4 3 2 1

F
E
D
C
B
A



SECTION A-A
SCALE 10:1

RECOMMENDER PCB PATTERN LAYOUT

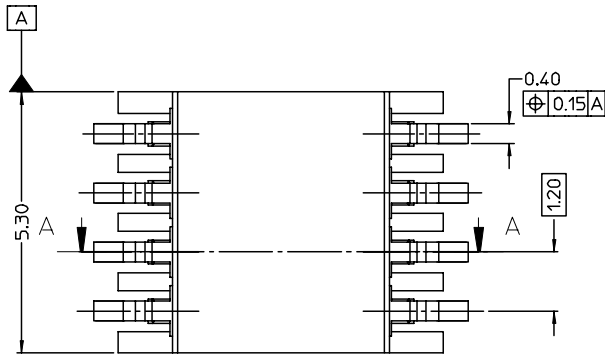


MATING PCB PATTERN LAYOUT

NOTES:

- MATERIAL:
HOUSING: LIQUID CRYSTAL POLYMER(LCP), BLACK, UL94V-0.
TERMIANL: PHOSPHOR BRONZE.
- PLATING:
CONTACT AREA: GOLD PLATING 0.5 MICROMETER,
SOLDER TAIL AREA: PURE TIN PLATING 3.0 MICROMETER,
UNDER PLATING: NI PLATING 3.0 MICROMETER.

- ⊲ TOLERANCES TO BE APPLIED WHEN ON A HORIZONTAL PLANE.
- ⊲ NORMAL FORCE AT WORKING POSITION: 0.46±0.05N(47±5gf).



NEW RELEASE	EC NO:	2005/04/13	QUALITY SYMBOLS ▽=0 ∇=0	GENERAL TOLERANCES (UNLESS SPECIFIED)		DIMENSION STYLE MM ONLY		SCALE 1:1	DESIGN UNITS METRIC	THIRD ANGLE PROJECTION		
	DRWN:OLZHANG	2006/02/06		mm	INCH	DRAWN BY OLZHANG	DATE 2006/02/04	TITLE 1.2MM PITCH DUAL ONE PIECE CONNECTOR ASS'Y (LEAD-FREE)				
	CHKD:HAWK	2006/02/06				CHECKED BY HAWK	DATE 2006/02/04					
	APPR:HWANG	2006/02/08				APPROVED BY HARVEY	DATE 2006/02/04	MOLEX INCORPORATED				
A	REV	DRAFT WHERE APPLICABLE MUST REMAIN WITHIN DIMENSIONS		MATERIAL NO. 470418001	DOCUMENT NO. SD-47041-005	SHEET NO. 1 OF 1						

9 8 7 6 5 4 3 2 1