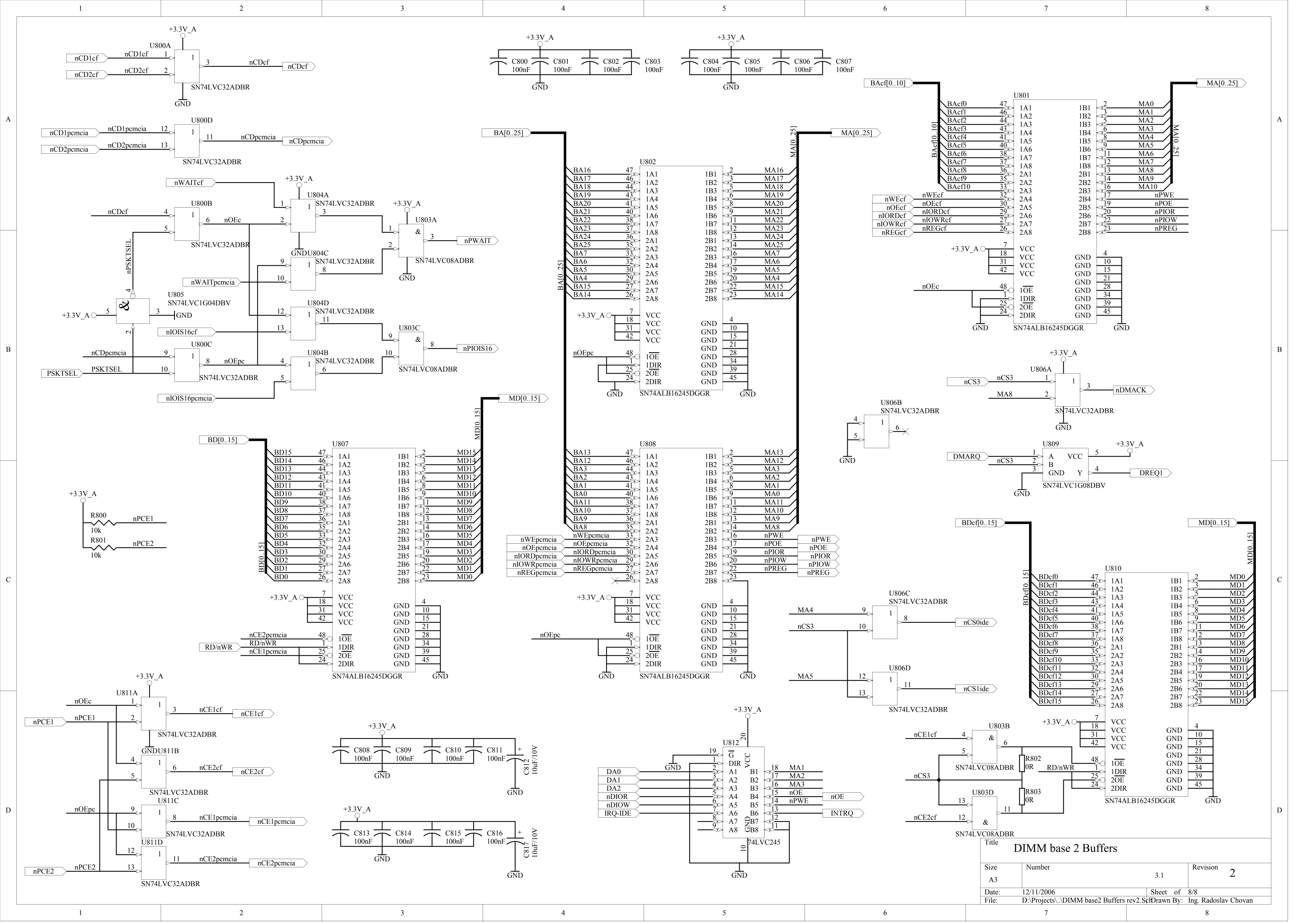
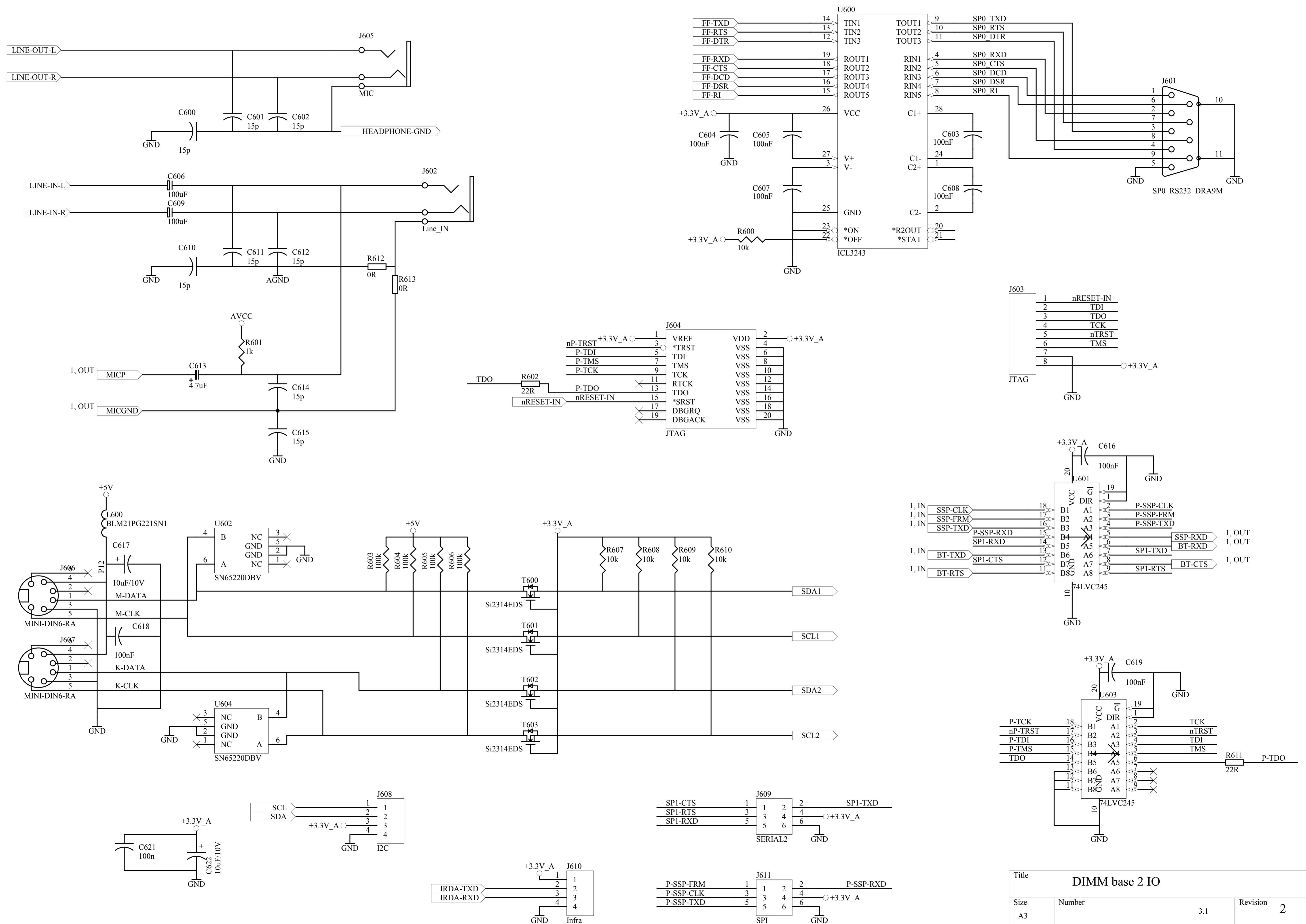


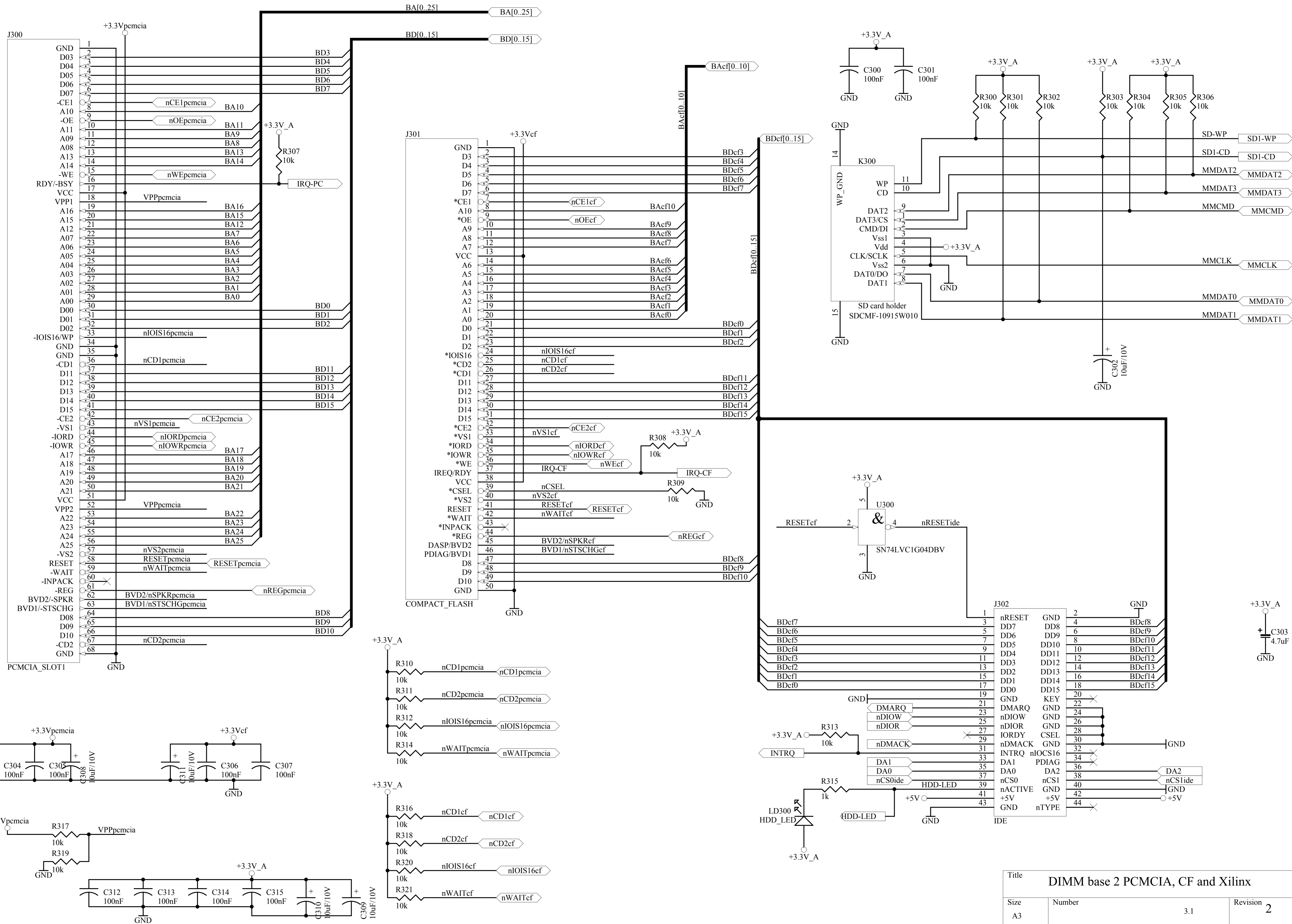
Title			
DIMM base 2 Block			
Size	Number	Revision	
A3	3.1	2	
Date:	12/11/2006	Sheet of	1/8
File:	D:\Projects\...\DIMM base2 block rev2.Sch	Drawn By:	Ing. Radoslav Chovan



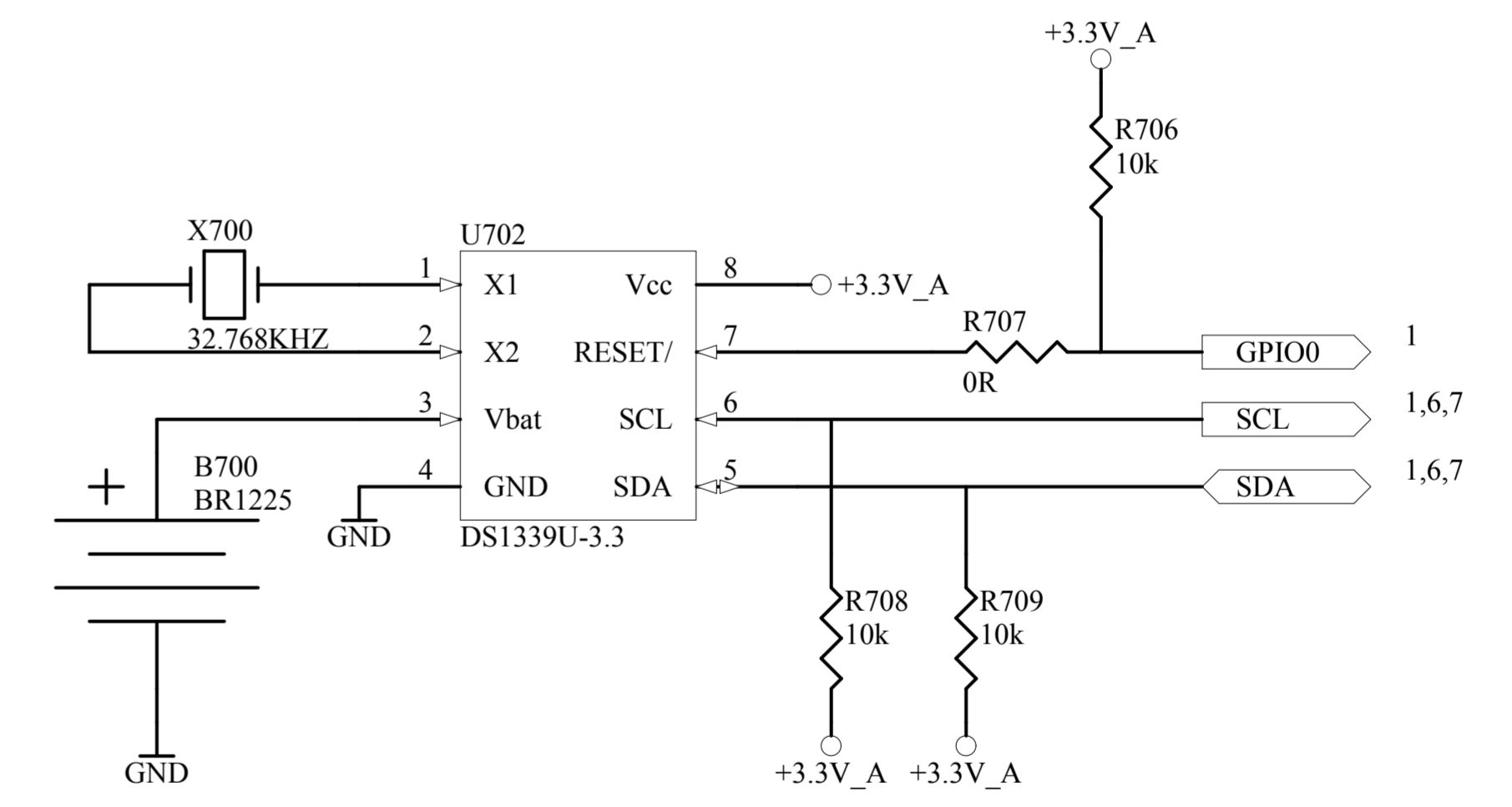
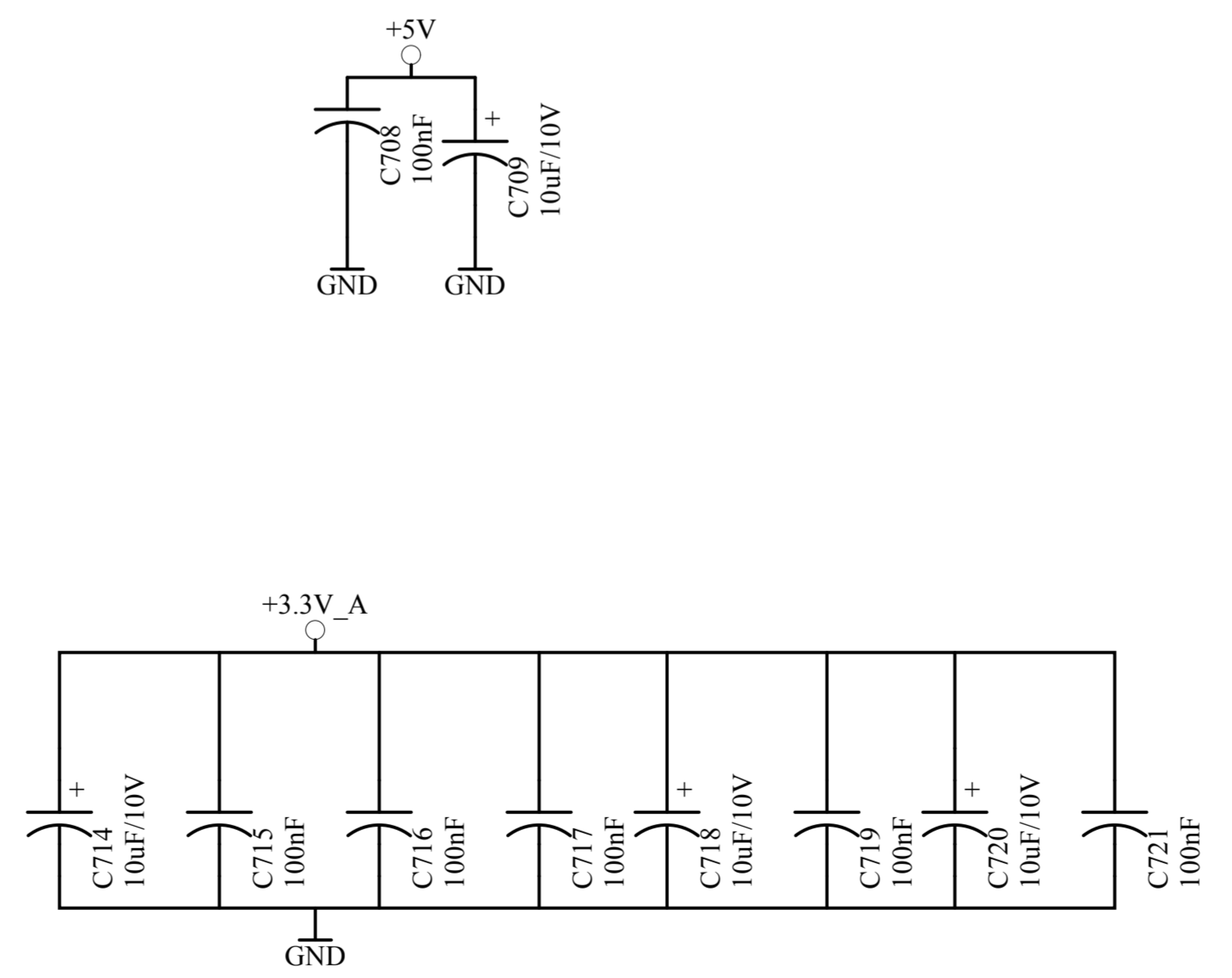
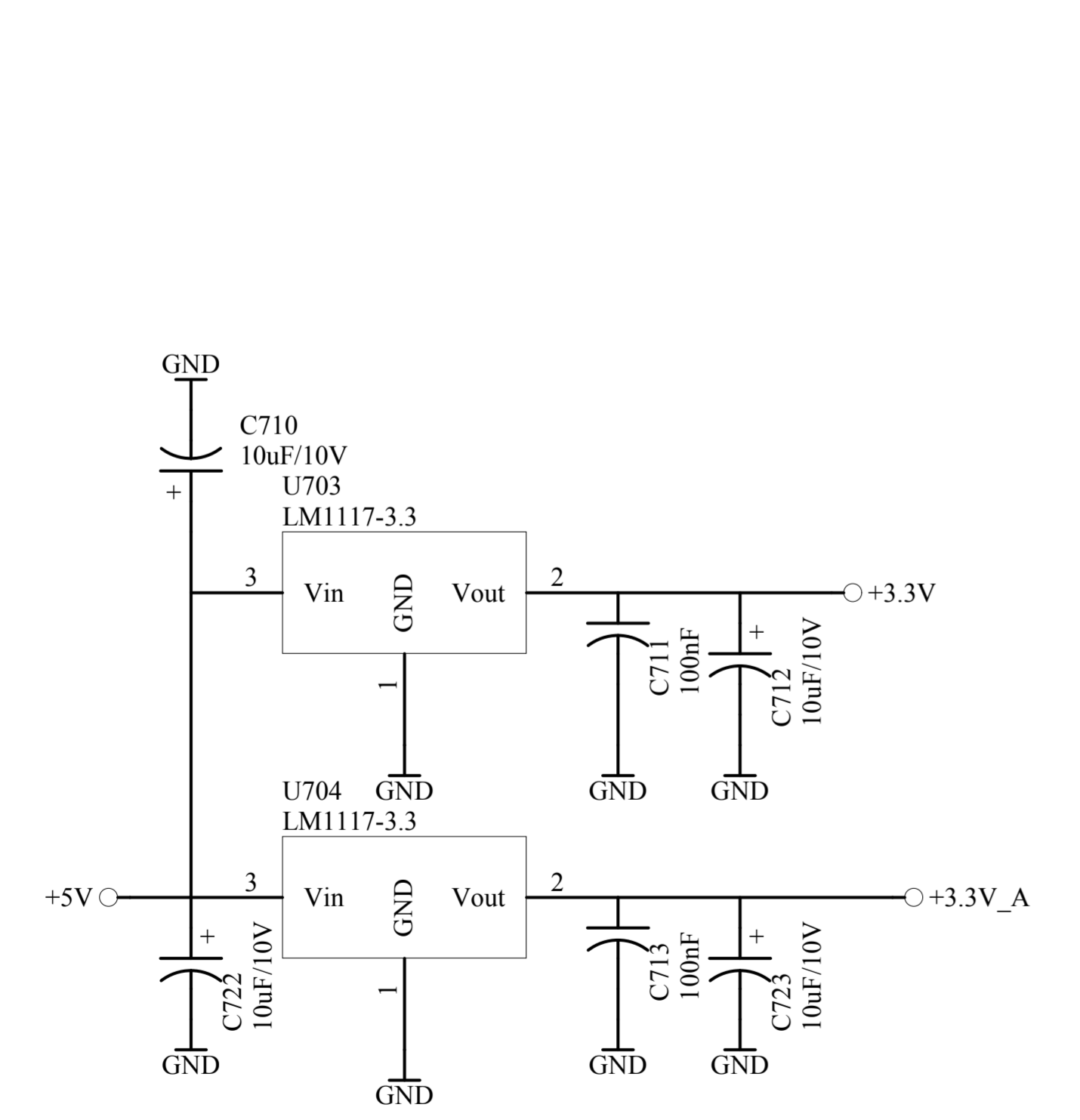
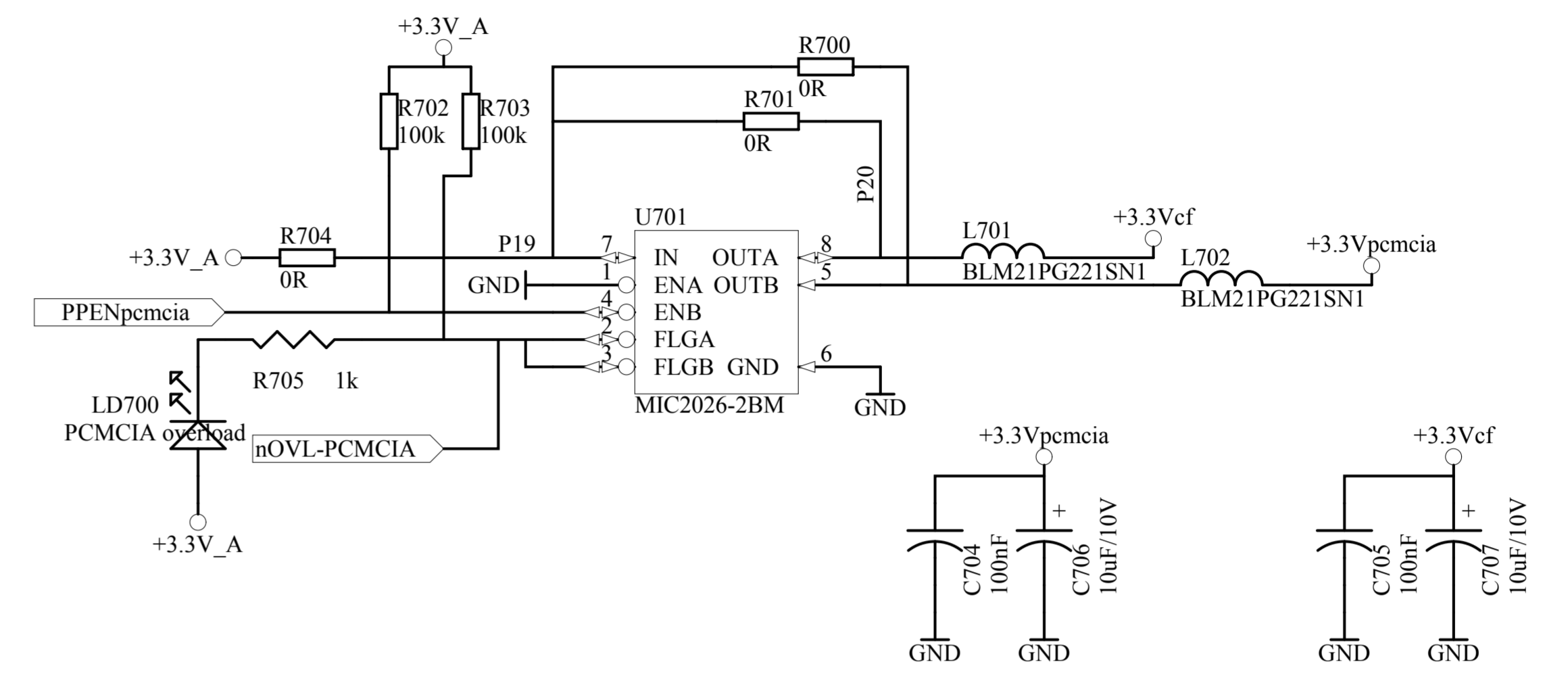
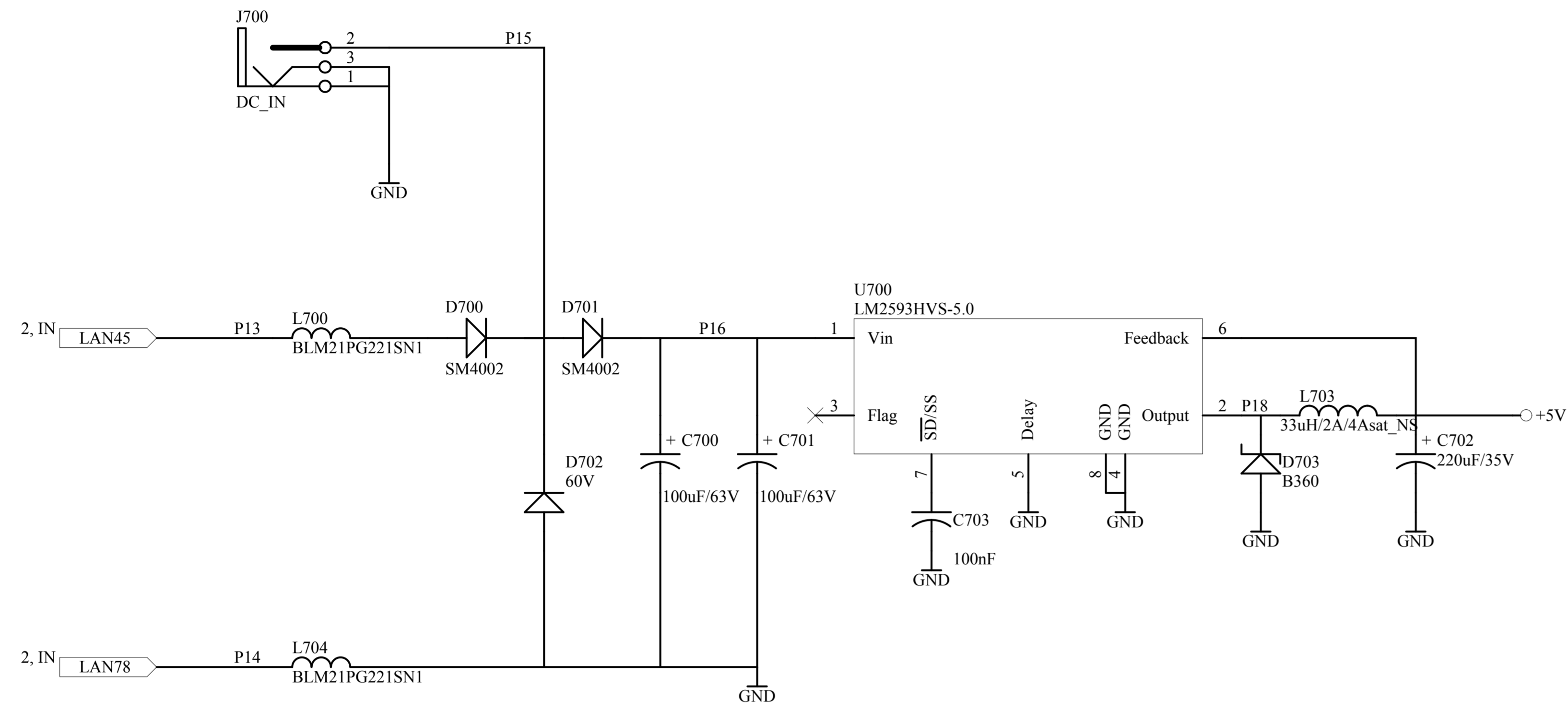
Title			
DIMM base 2 Buffers			
Size	Number	Revision	2
A3	3.1		
Date:	12/11/2006	Sheet of	8/8
File:	D:\Projects\...\DIMM base2 Buffers rev2.Sch		
Drawn By:	Ing. Radoslav Chovan		



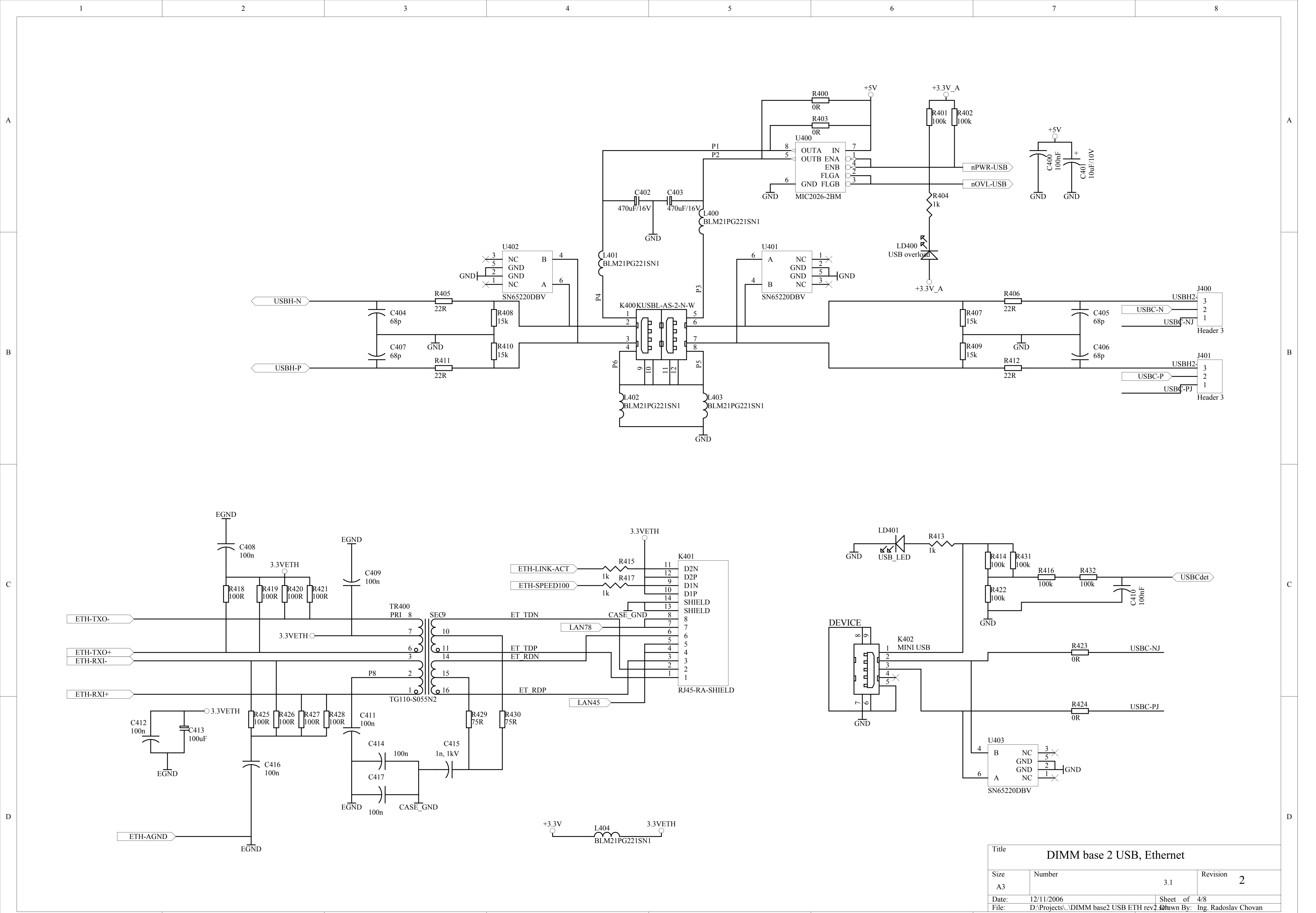
Title			
DIMM base 2 IO			
Size	Number	Revision	2
A3	3.1	6/8	
Date:	12/11/2006	Sheet of	6/8
File:	D:\Projects\...\DIMM base 2 IO rev2.Sch	Drawn By:	Ing. Radoslav Chovan



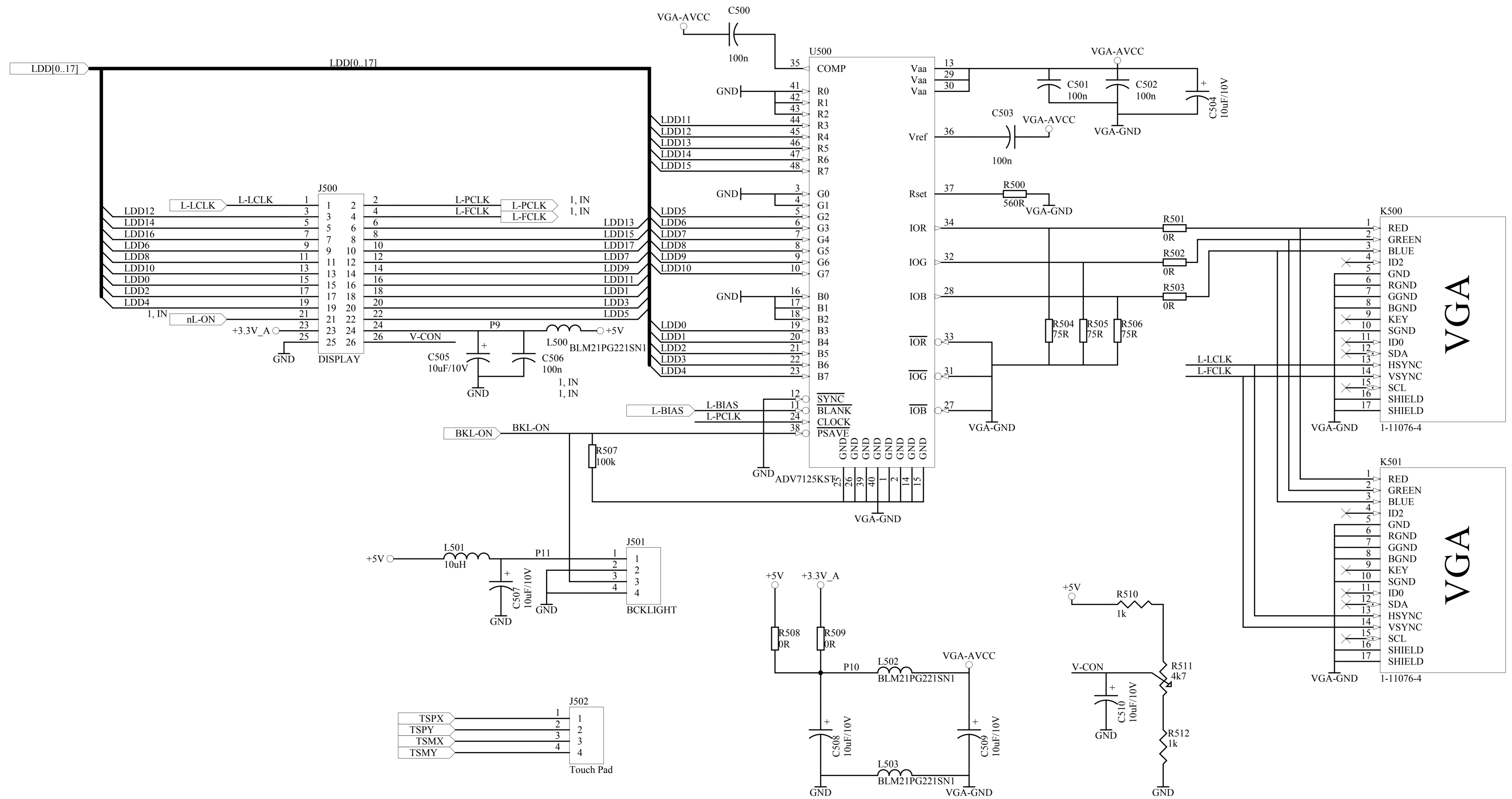
Title			
DIMM base 2 PCMCIA, CF and Xilinx			
Size	Number	Revision	
A3	3.1	2	
Date:	12/11/2006	Sheet of	3/8
File:	D:\Projects\...DIMM base 2 PC_Cards rev2.2.dwg		
Drawn By: Ing. Radoslav Chovan			



Title			
DIMM base 2 Power			
Size	Number	Revision	
A3	3.1	2	
Date:	12/11/2006	Sheet of	7/8
File:	D:\Projects\...\DIMM base2 Power rev2.Sch		Drawn By: Ing. Radoslav Chovan



Title			
DIMM base 2 USB, Ethernet			
Size	Number	Revision	
A3	3.1	2	
Date:	12/11/2006	Sheet of	4/8
File:	D:\Projects\...\DIMM base2 USB ETH rev2.3.dwg		
Drawn By:		Ing. Radoslav Chovan	



Title			
DIMM base 2 VGA, LCD			
Size	Number	Revision	
A3	3.1	2	
Date:	12/11/2006	Sheet of	5/8
File:	D:\Projects\...\DIMM base2 VGA rev2.sch	Drawn By:	Ing. Radoslav Chovan