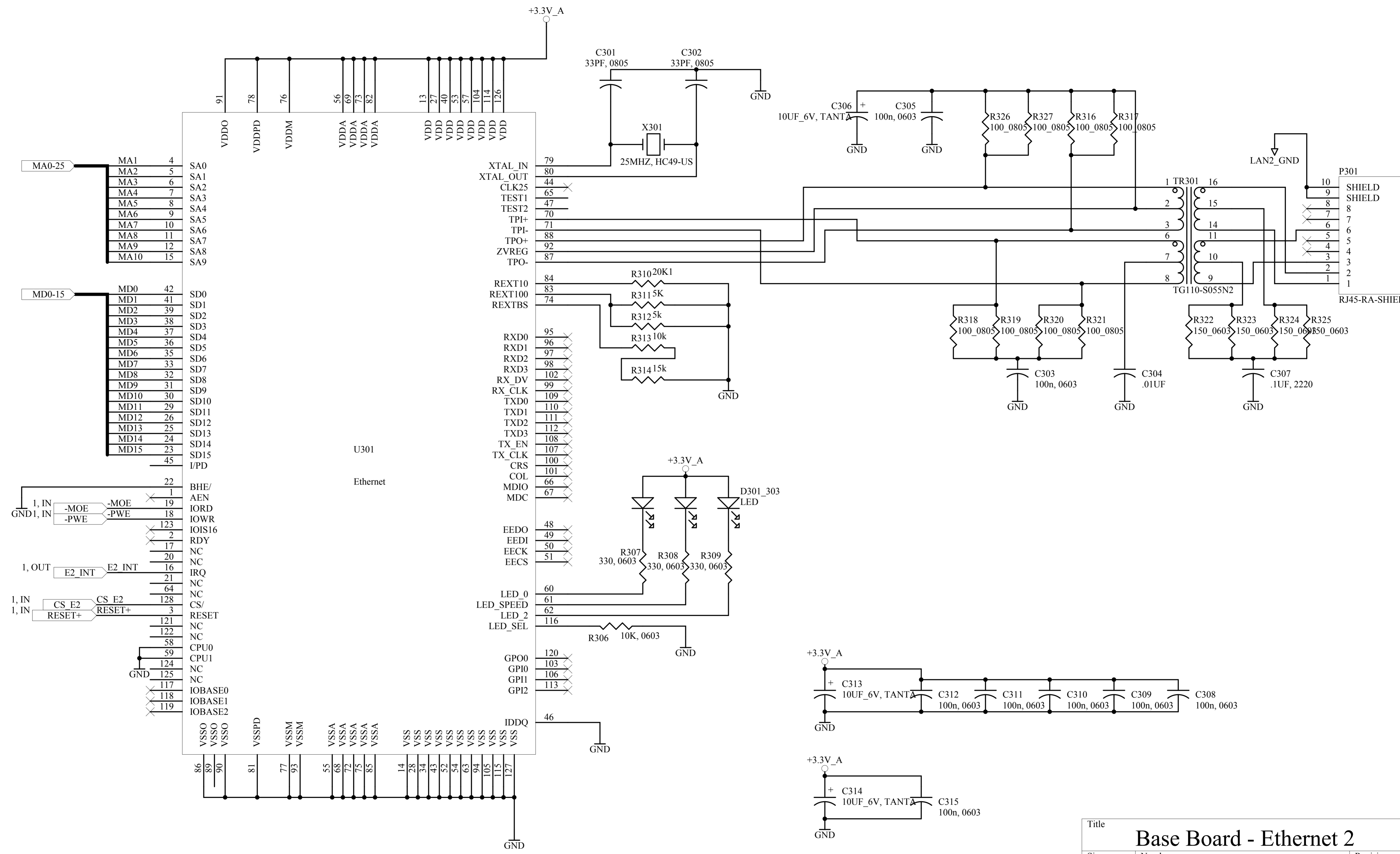
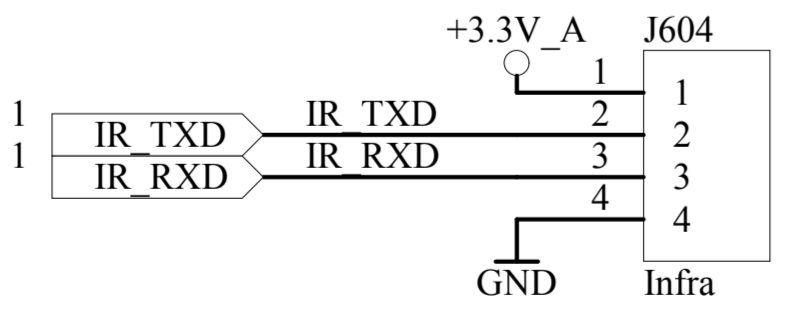
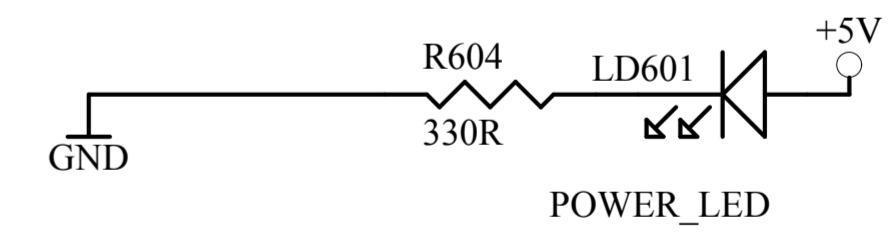
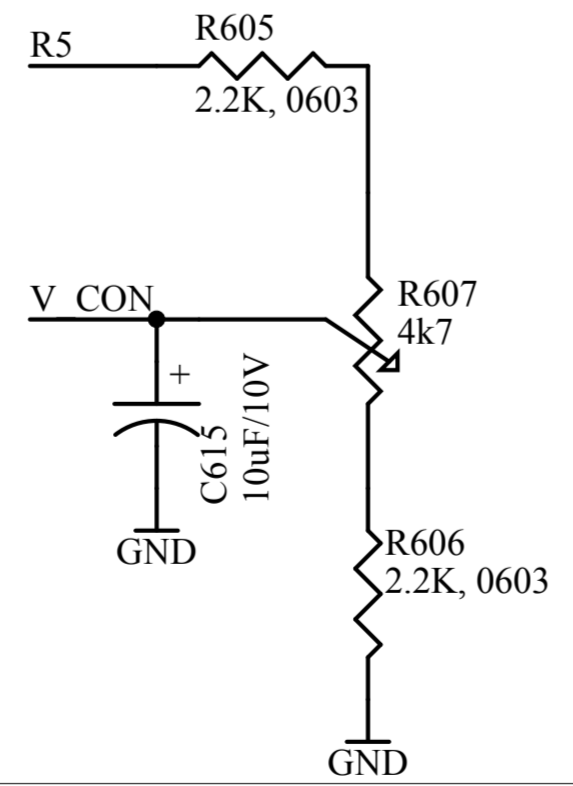
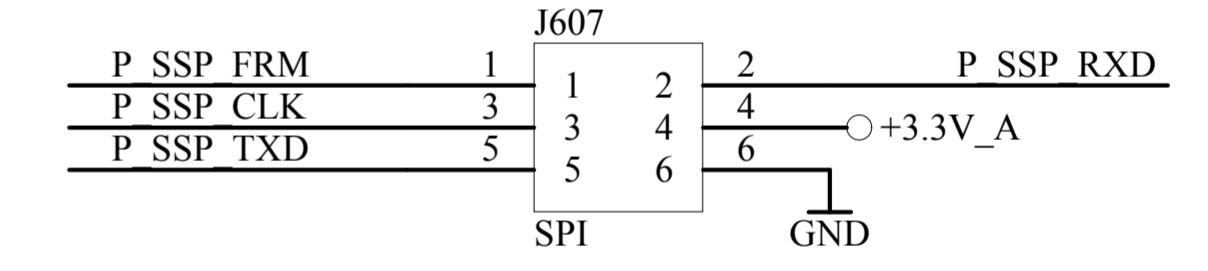
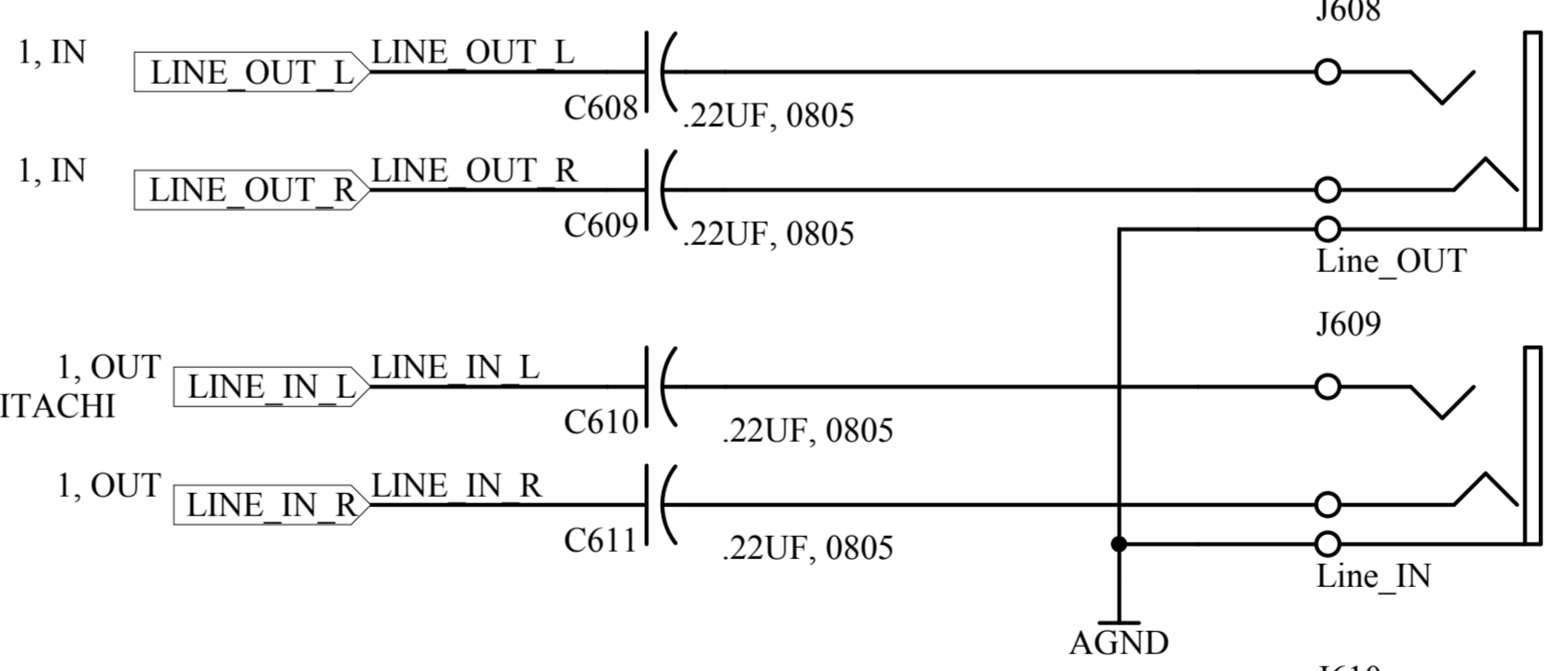
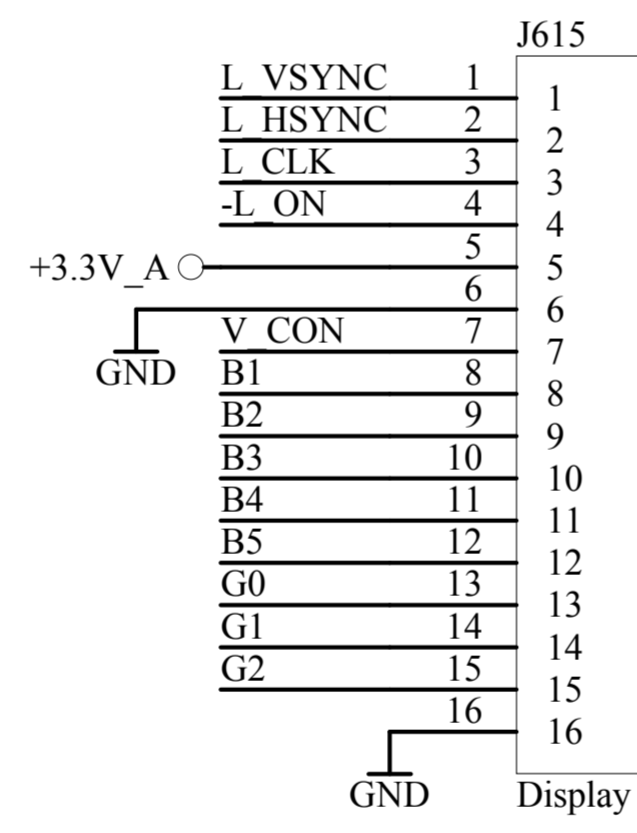
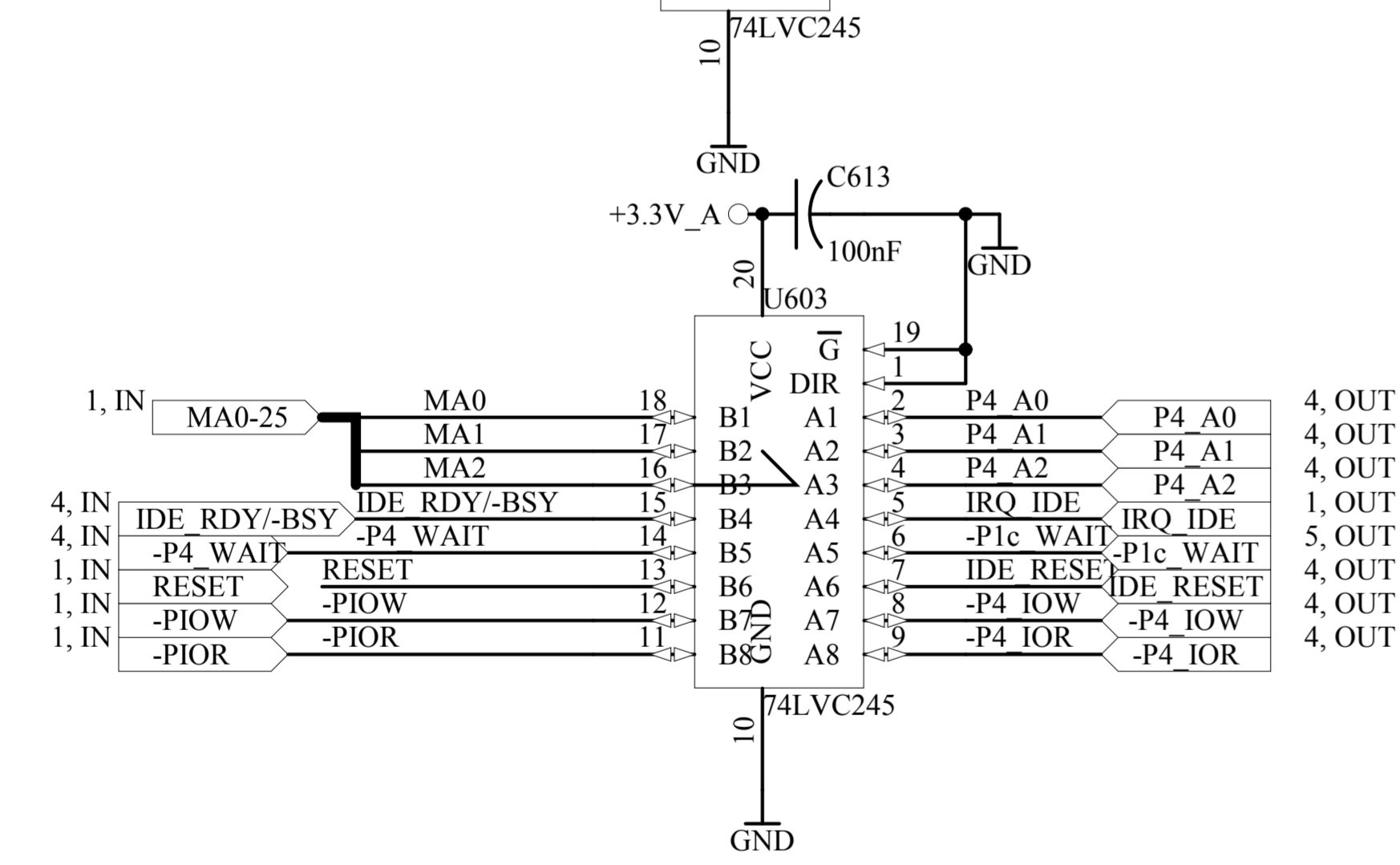
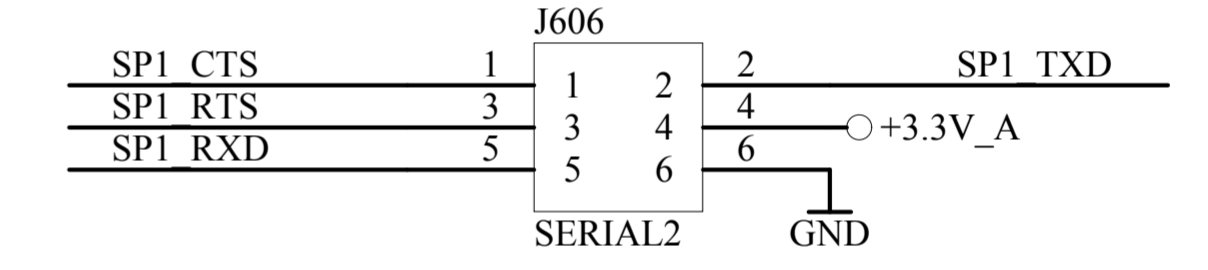
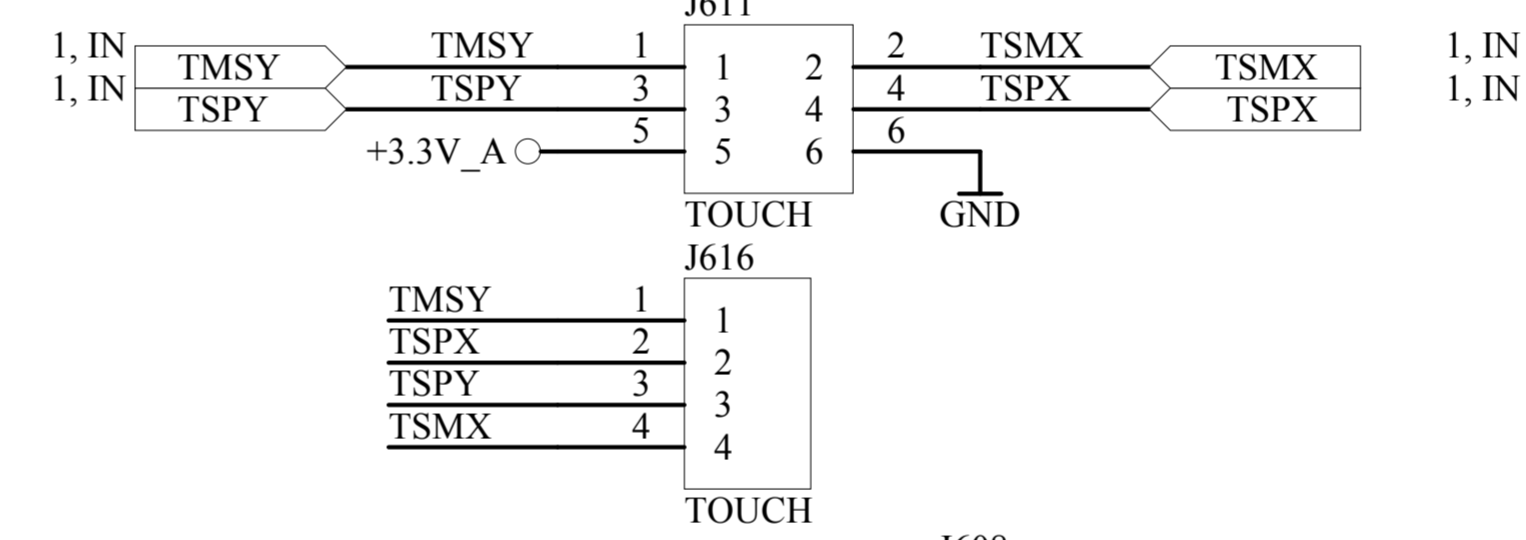
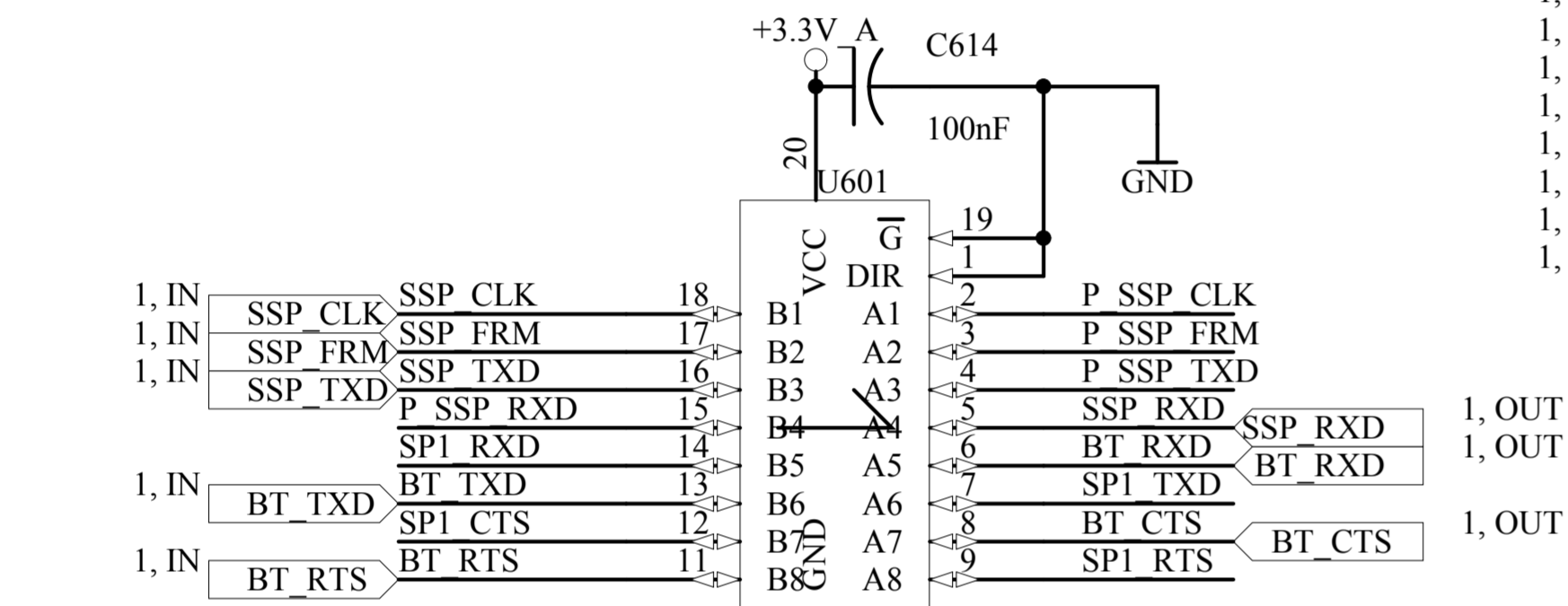
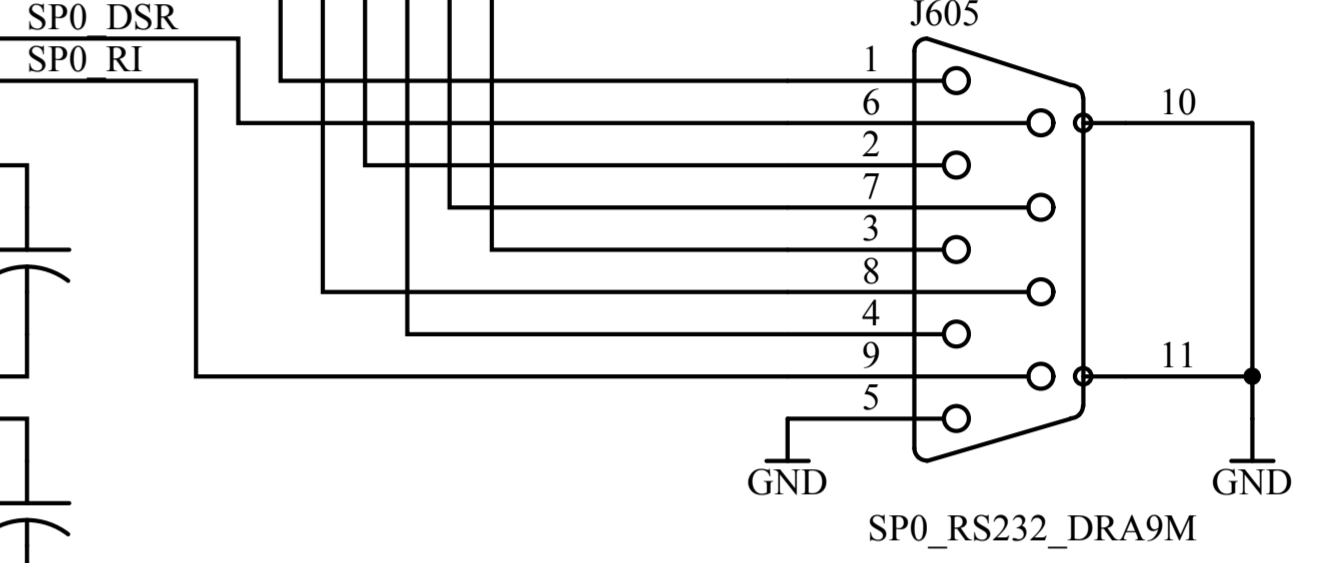
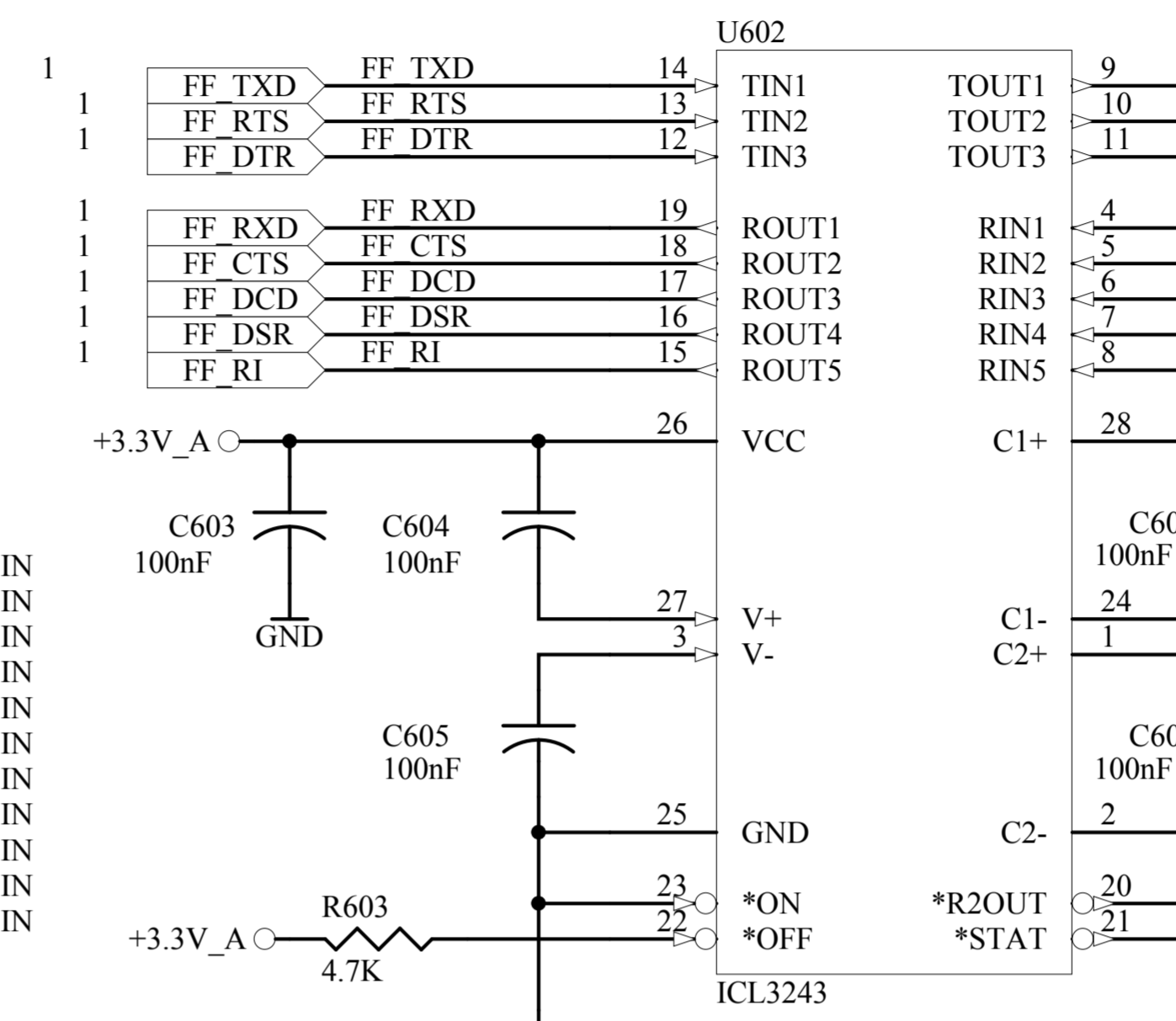
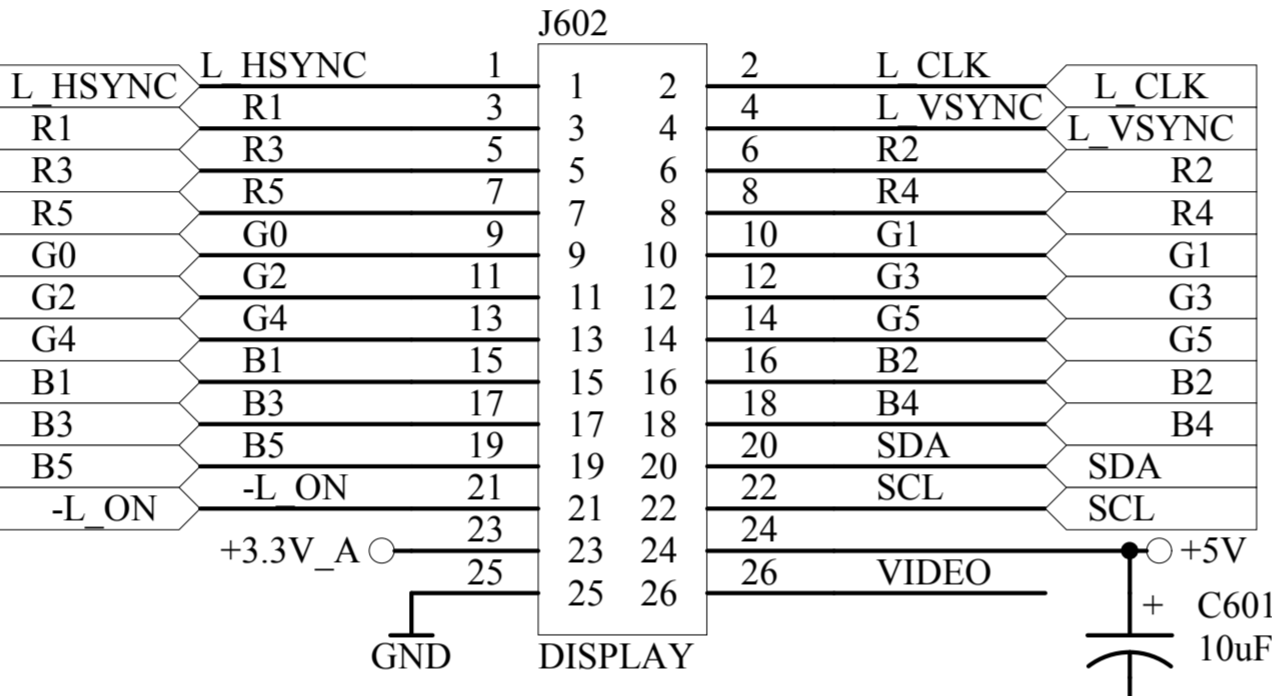
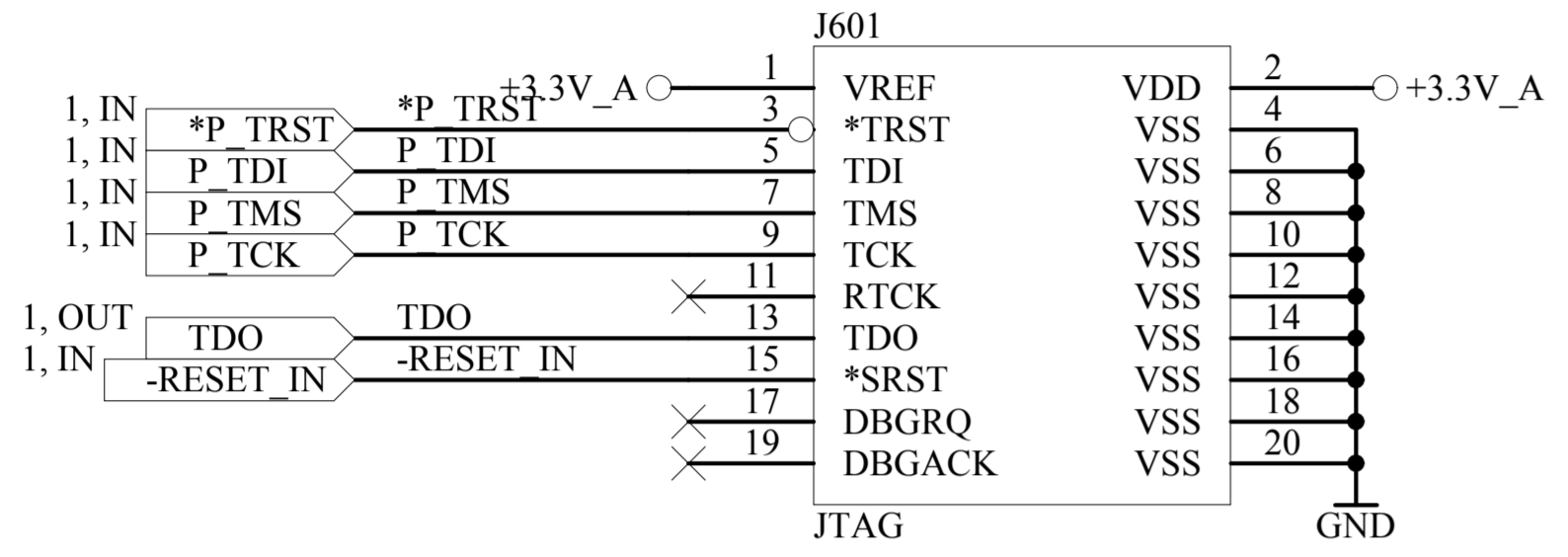
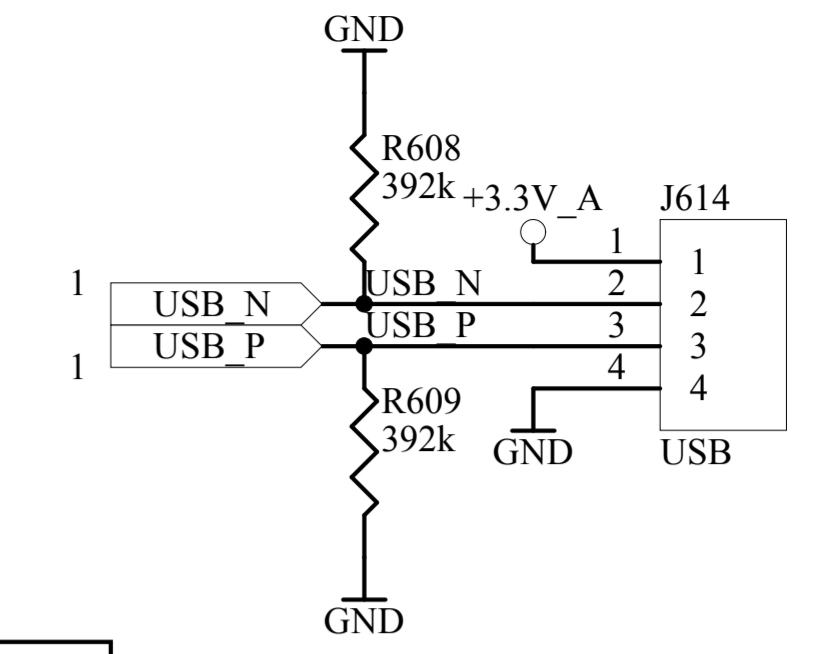
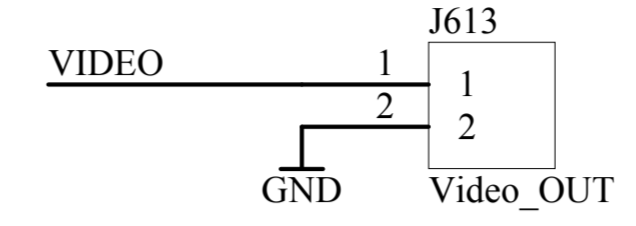
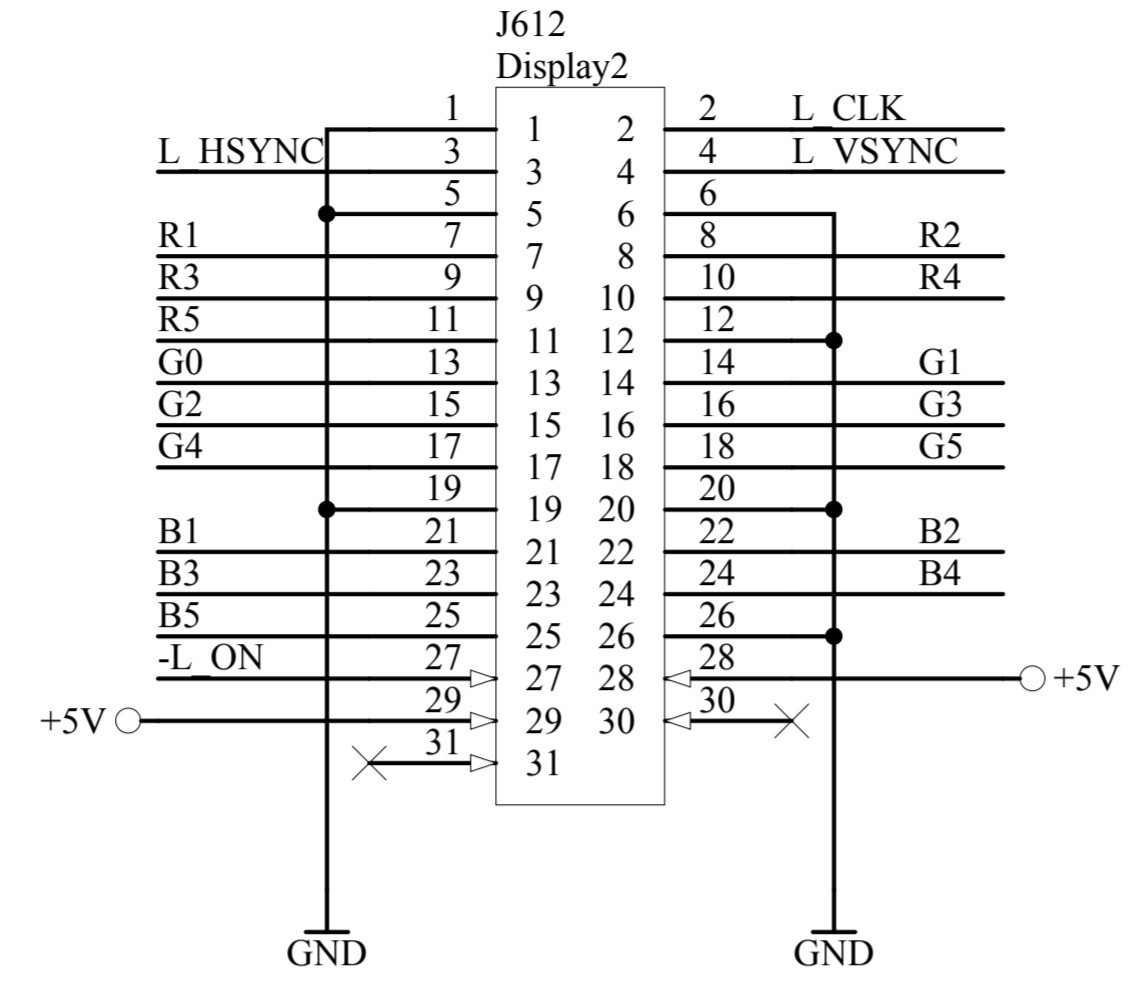
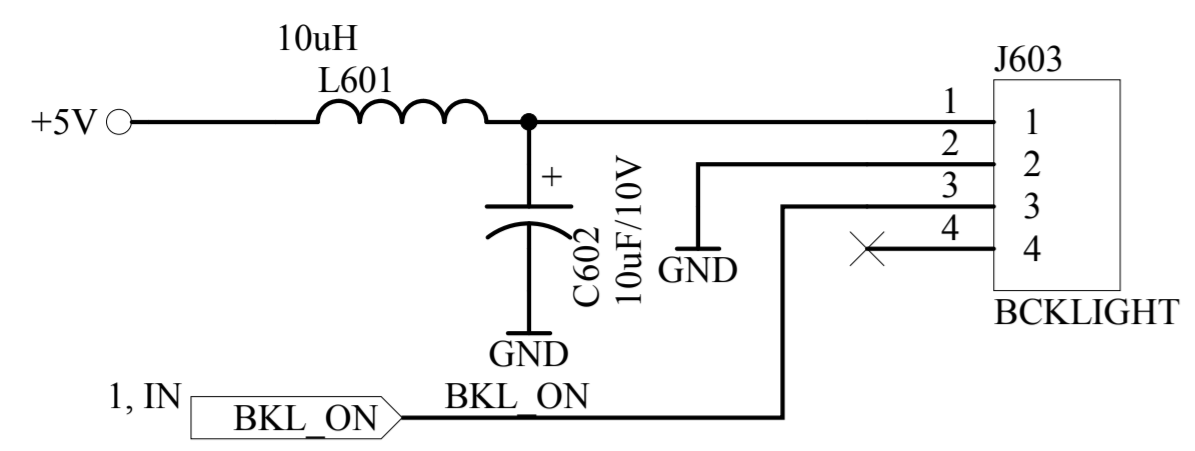


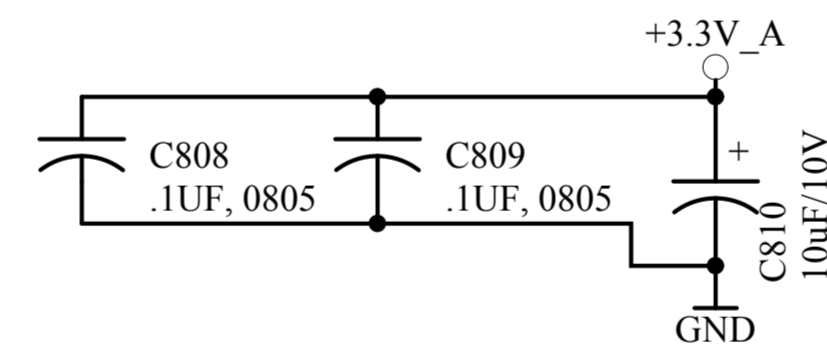
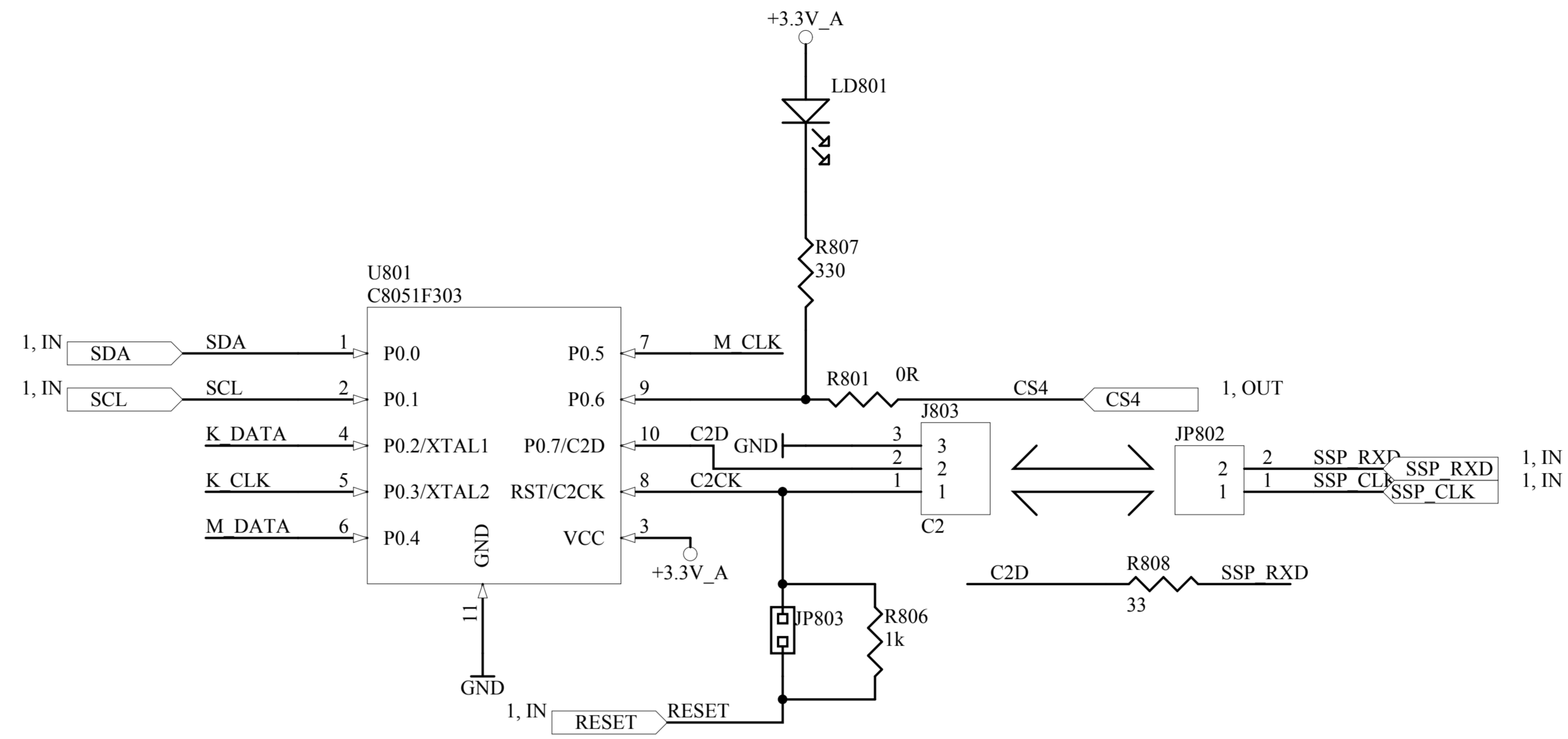
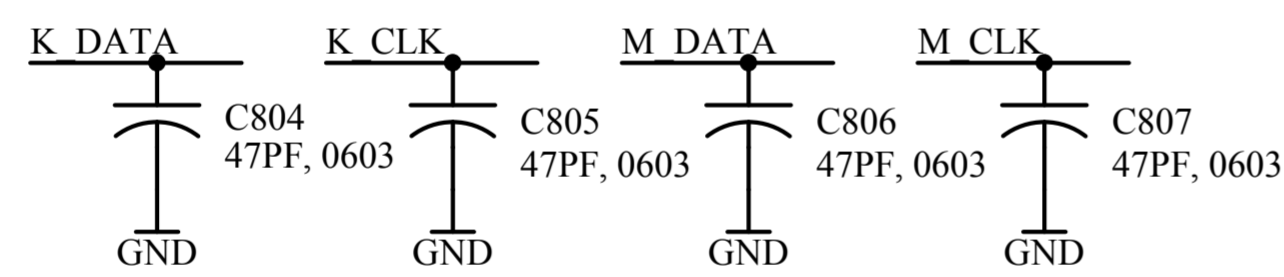
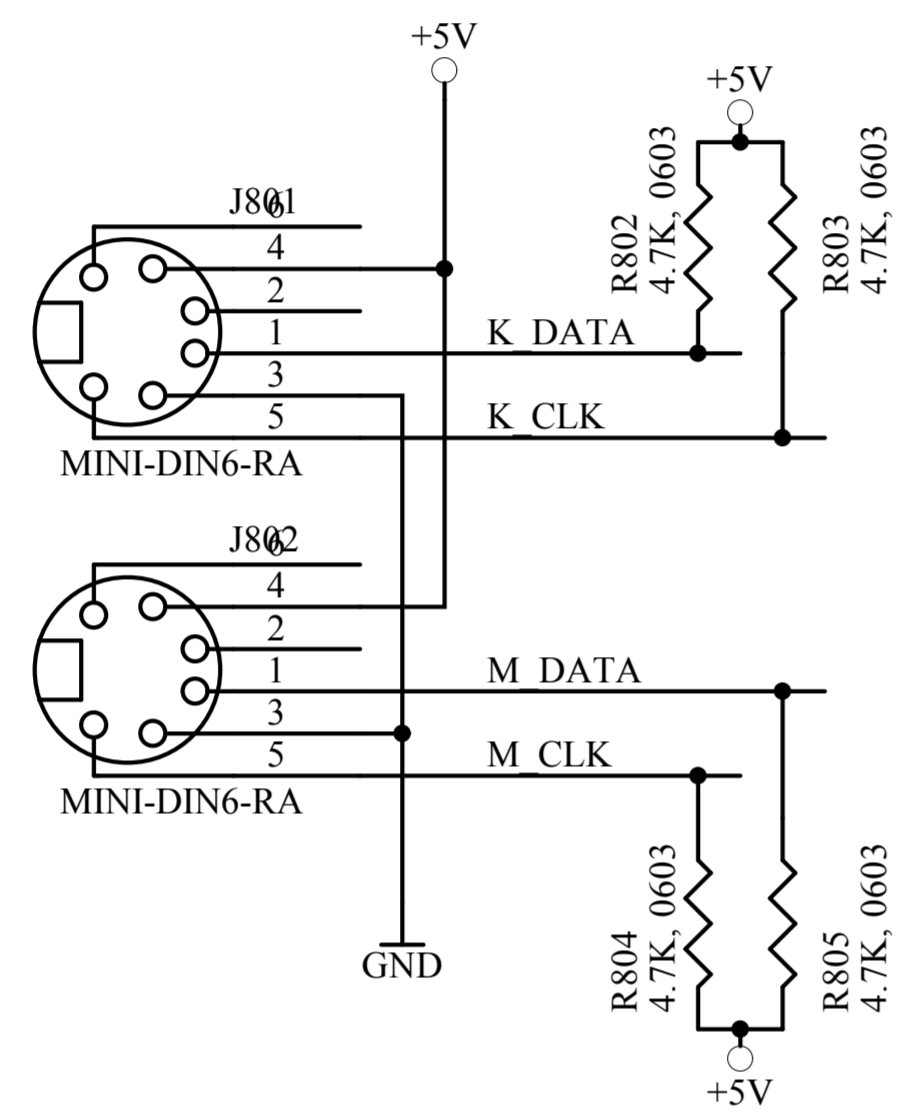
Title		
Base Board - Ethernet 1		
Size	Number	Revision
B	2/7	2.1
Date:	3/6/2007	Sheet of
File:	C:\temp\...\Ethernet1.Sch	Drawn By:



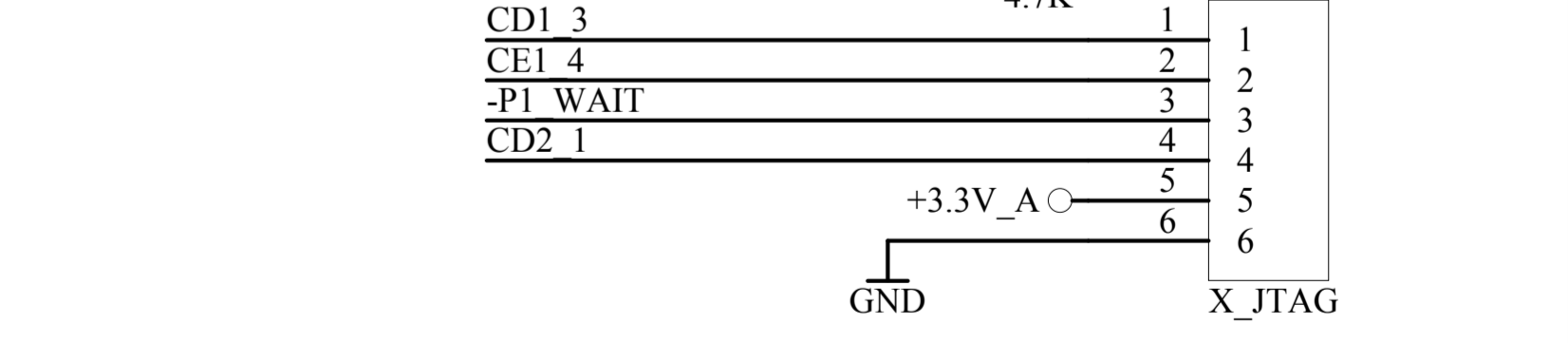
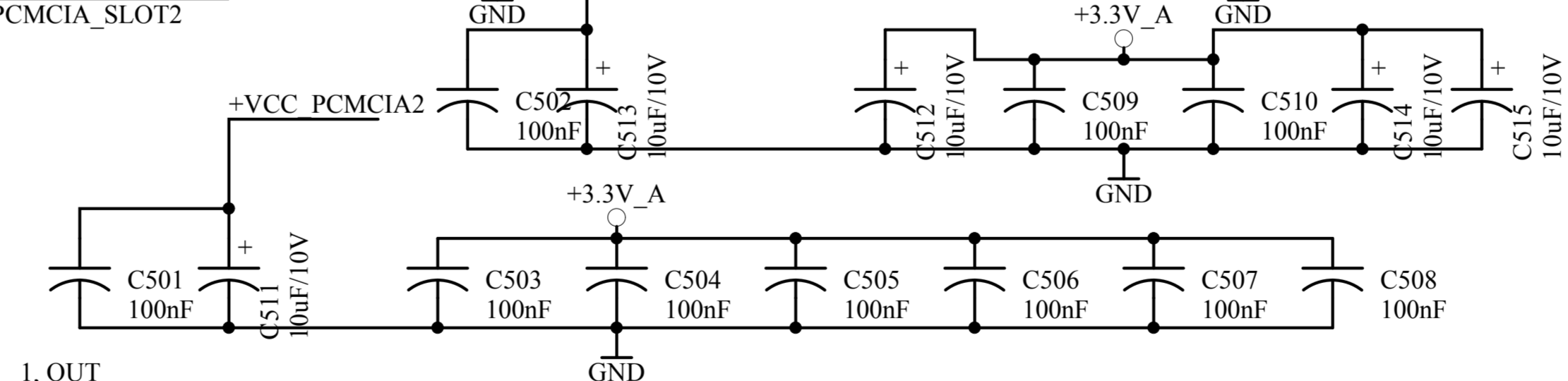
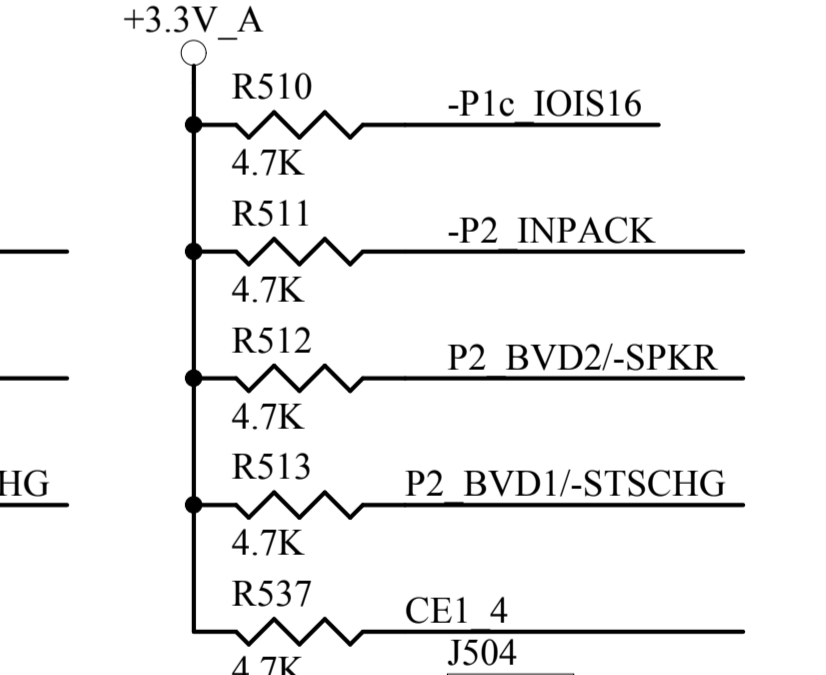
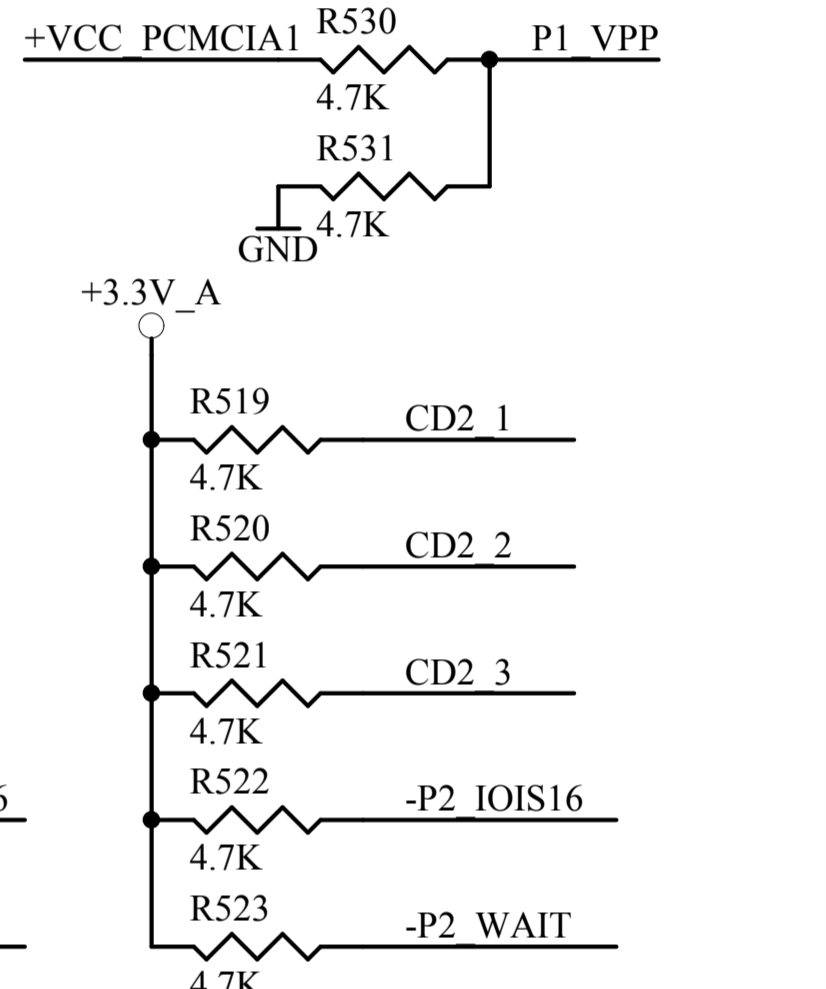
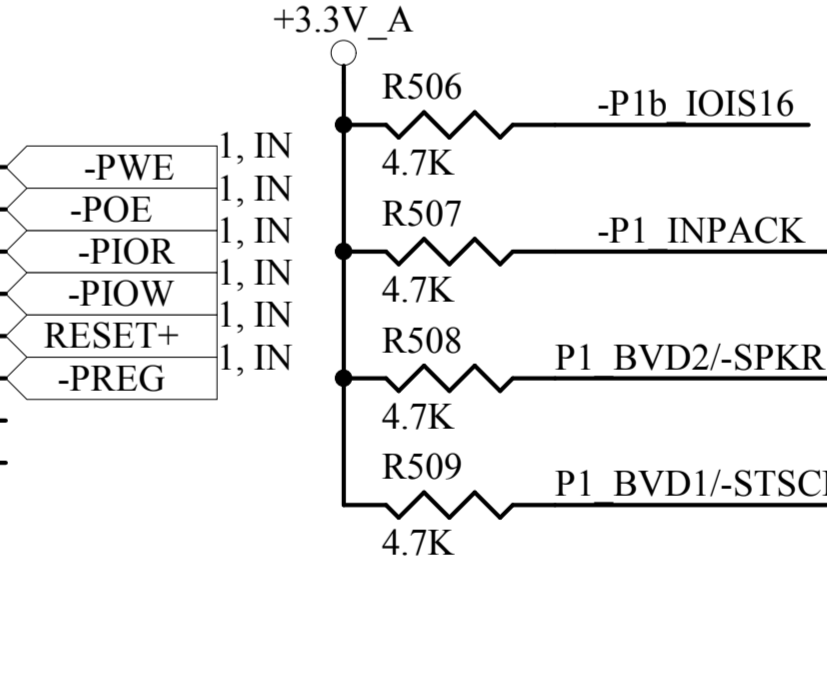
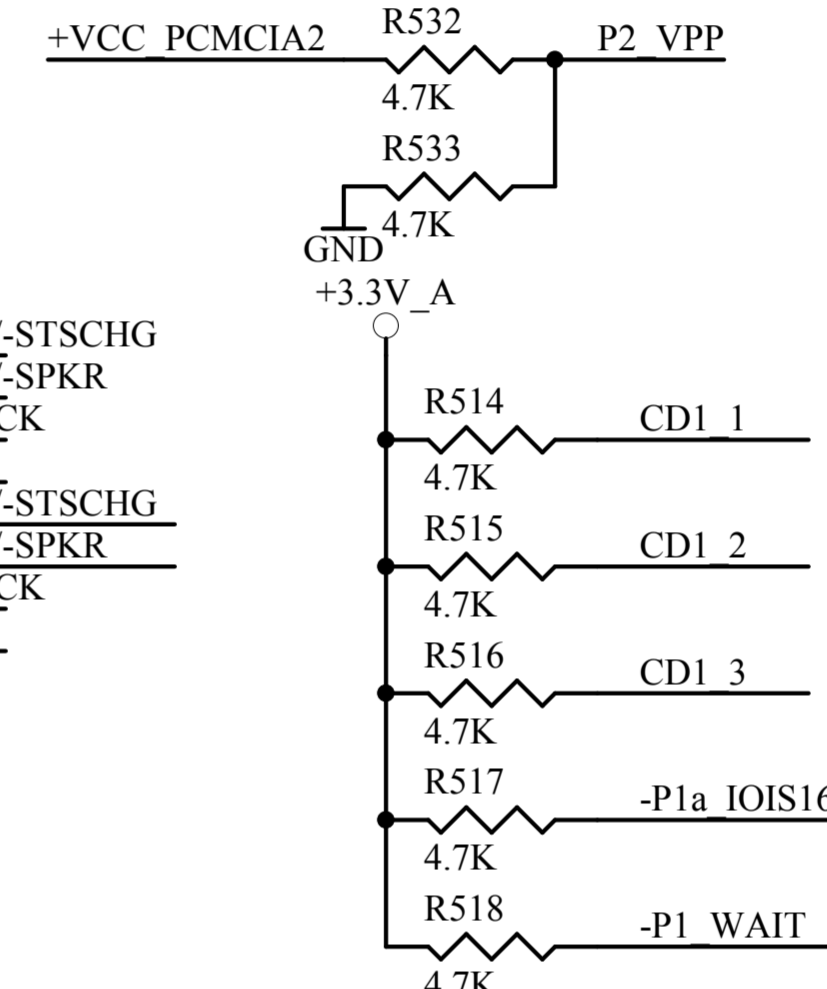
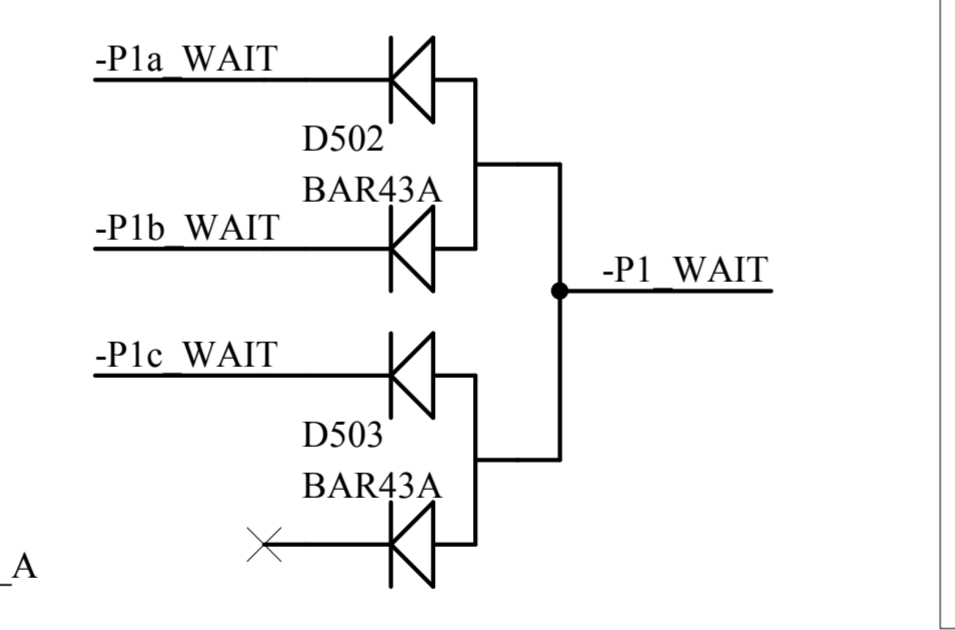
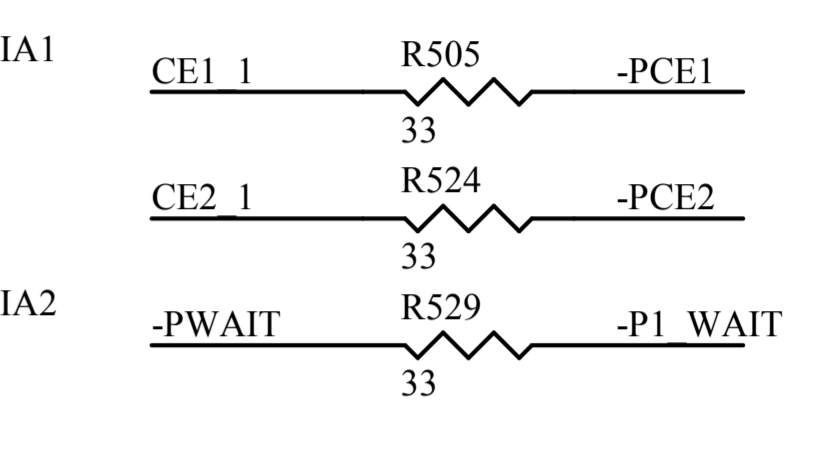
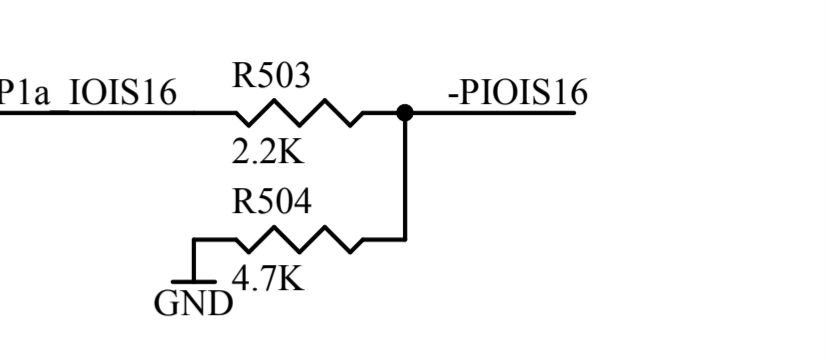
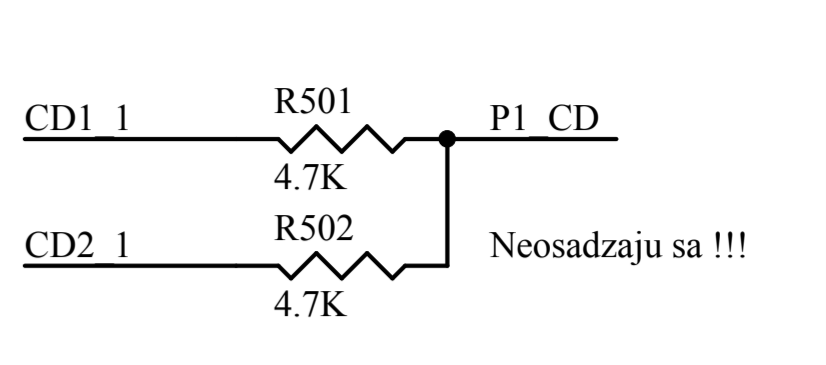
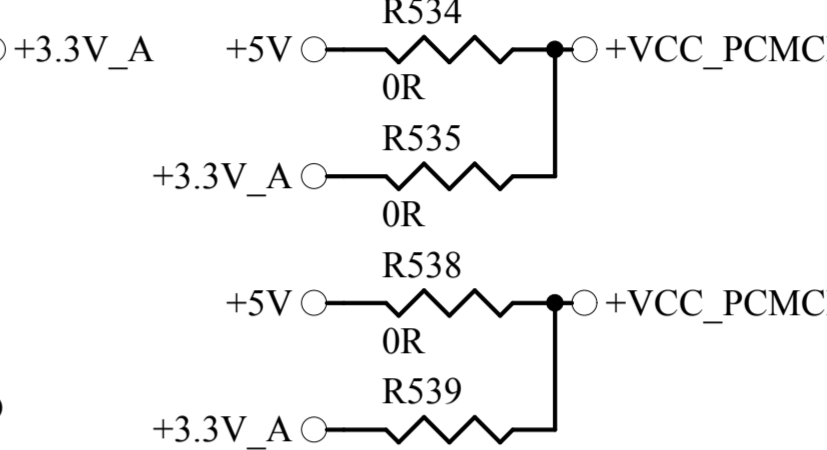
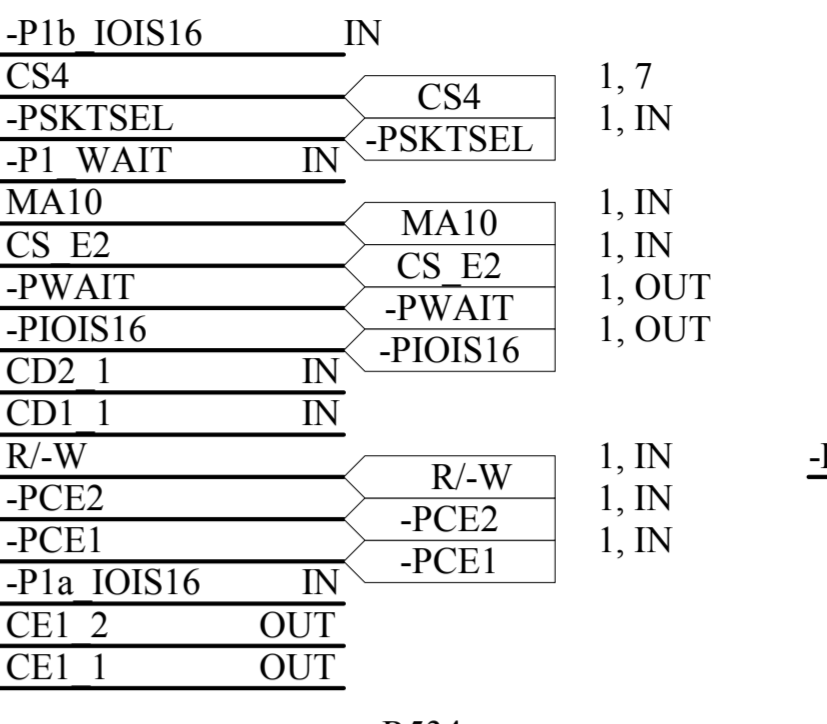
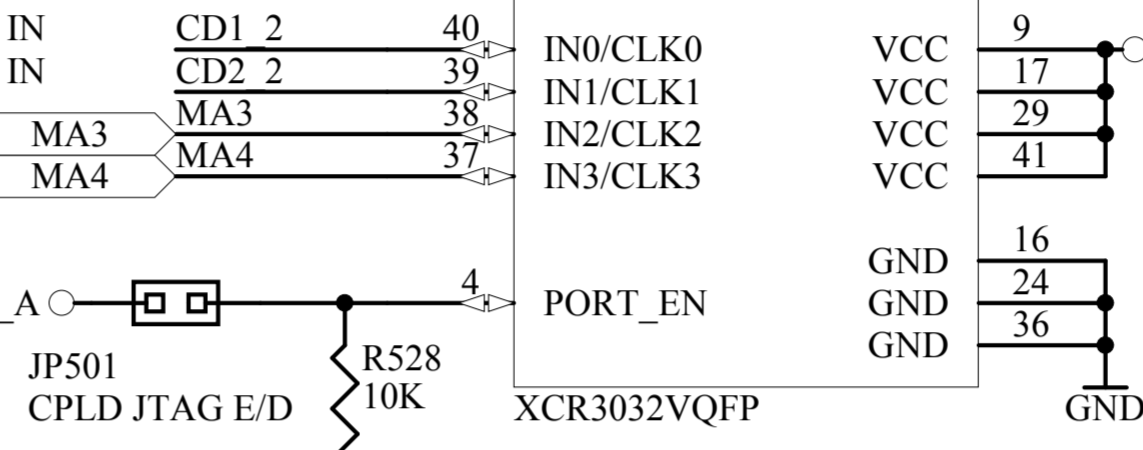
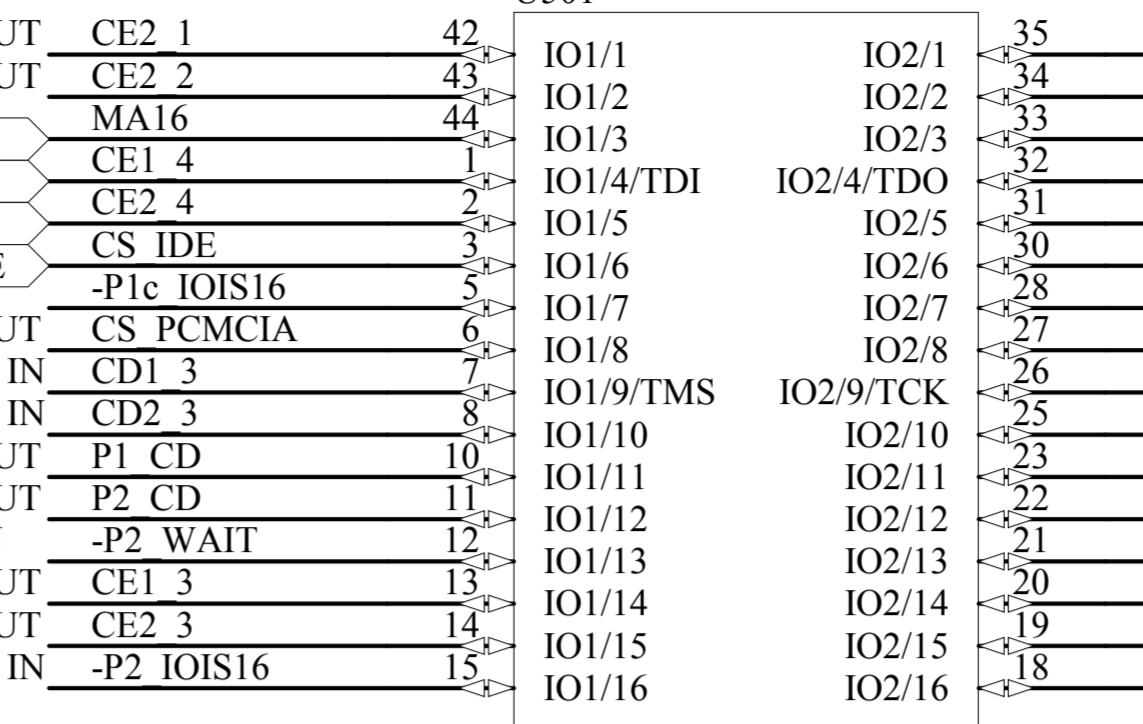
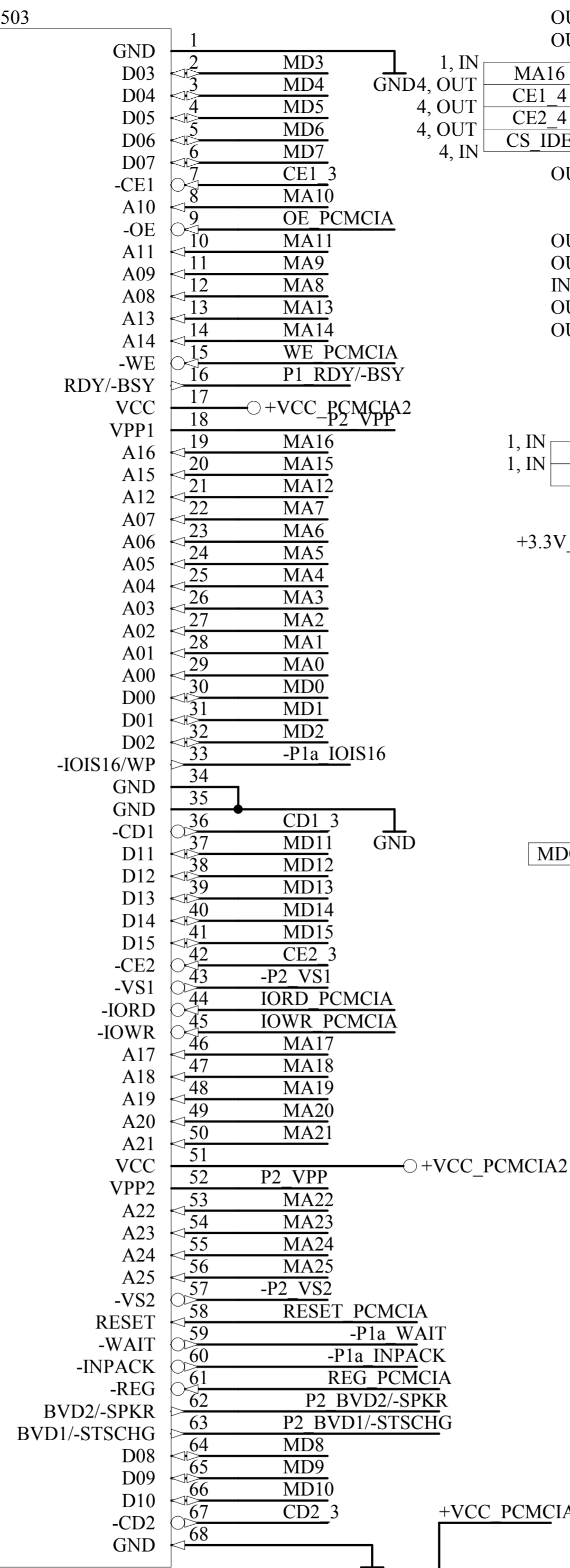
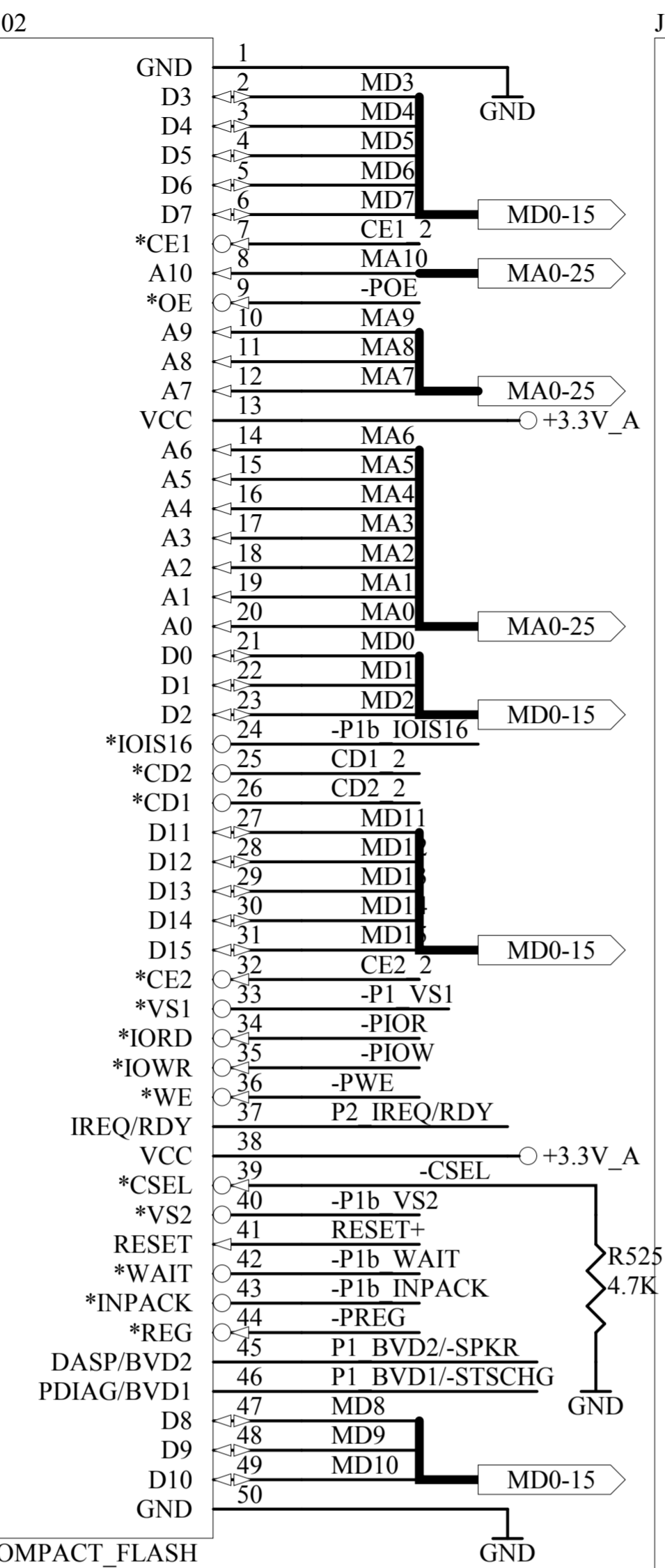
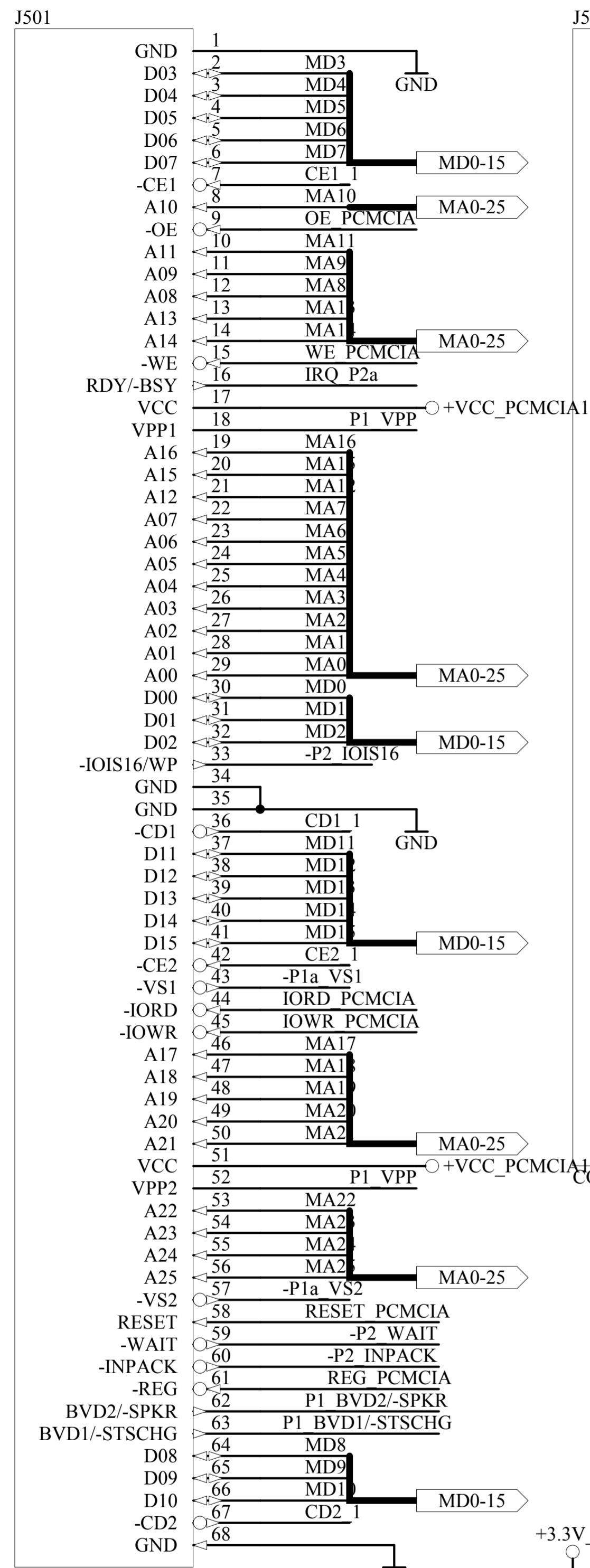
Title		
Base Board - Ethernet 2		
Size	Number	Revision
B	3/7	2.1
Date:	3/6/2007	Sheet of
File:	C:\temp\...\Ethernet2.Sch	Drawn By:



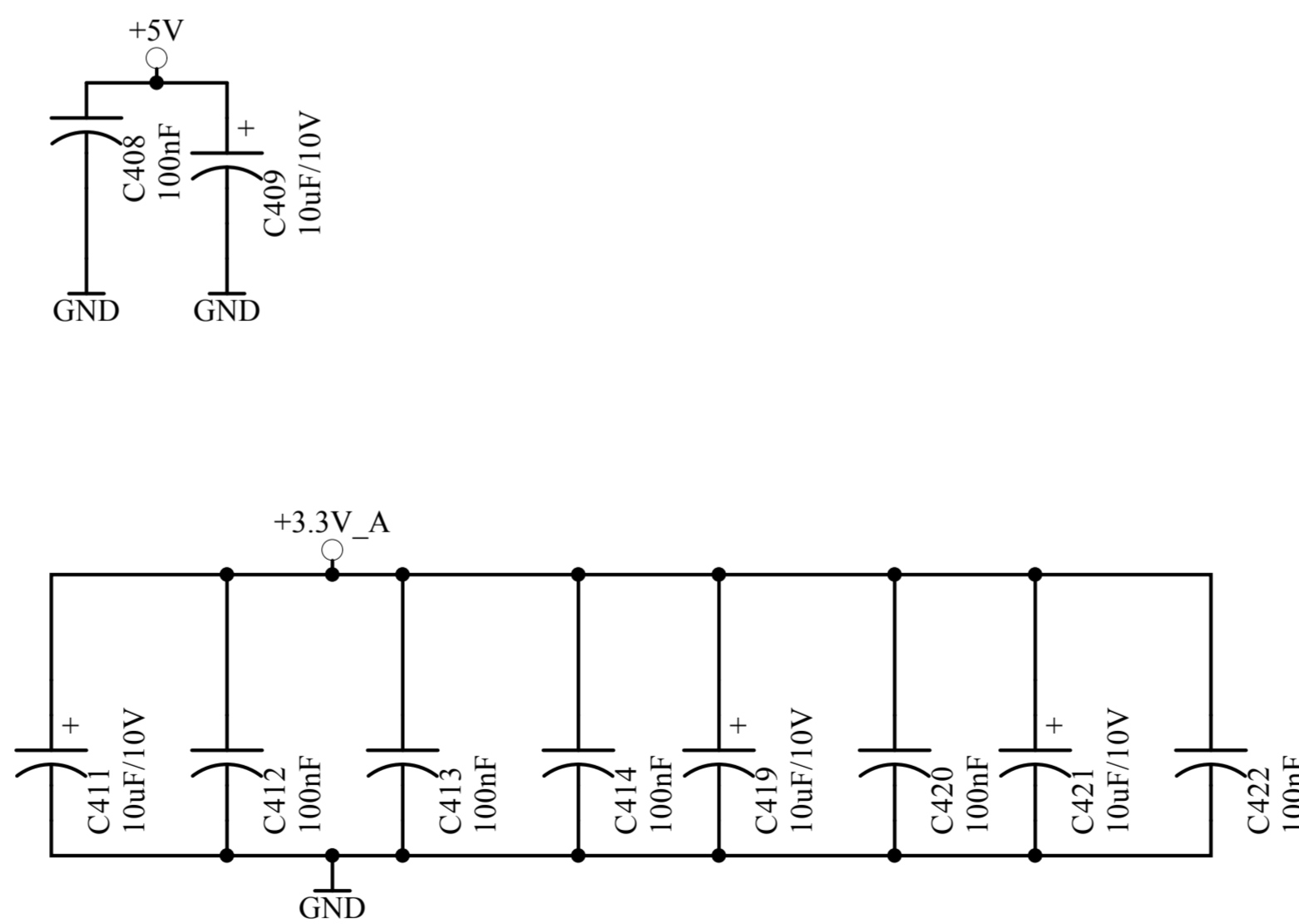
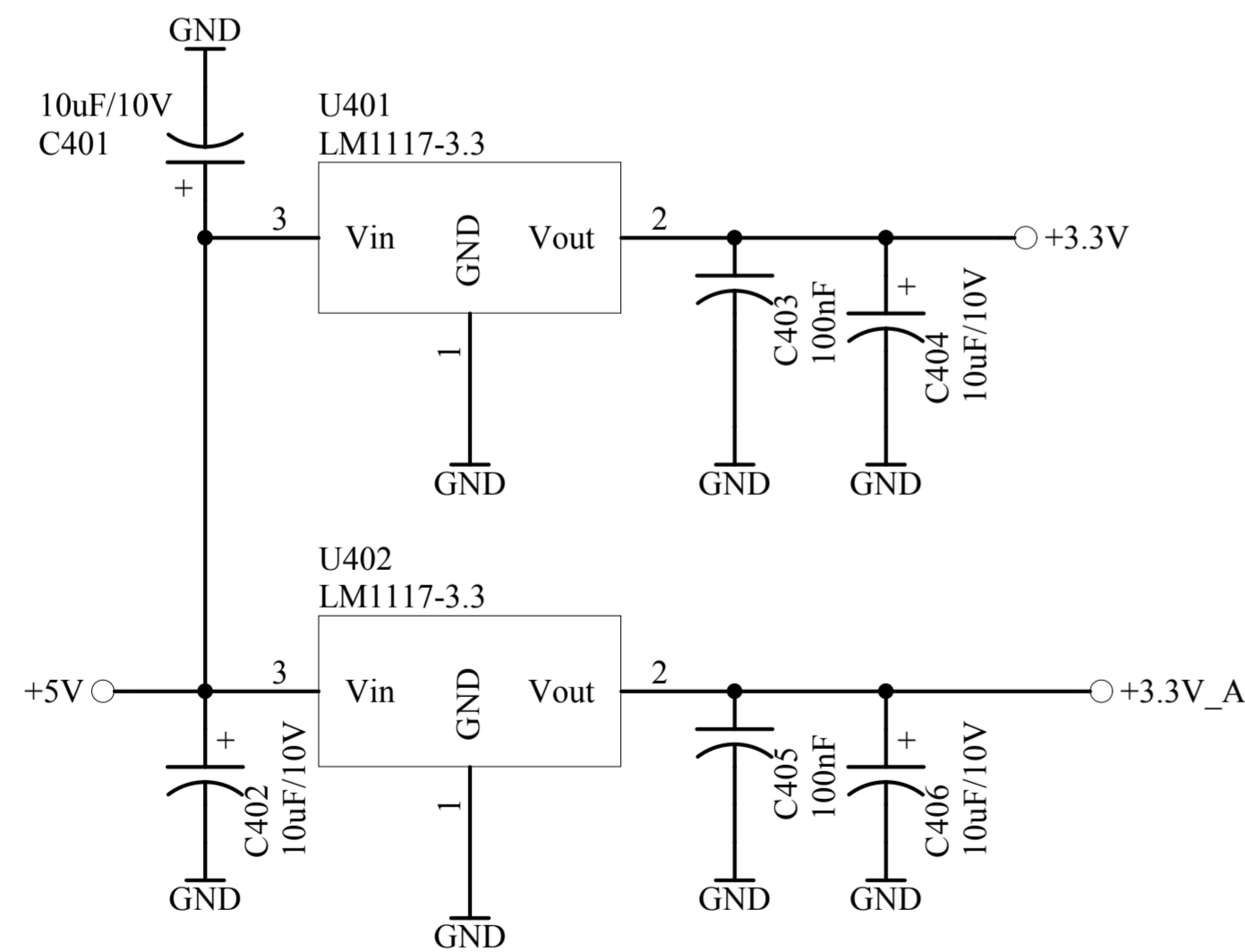
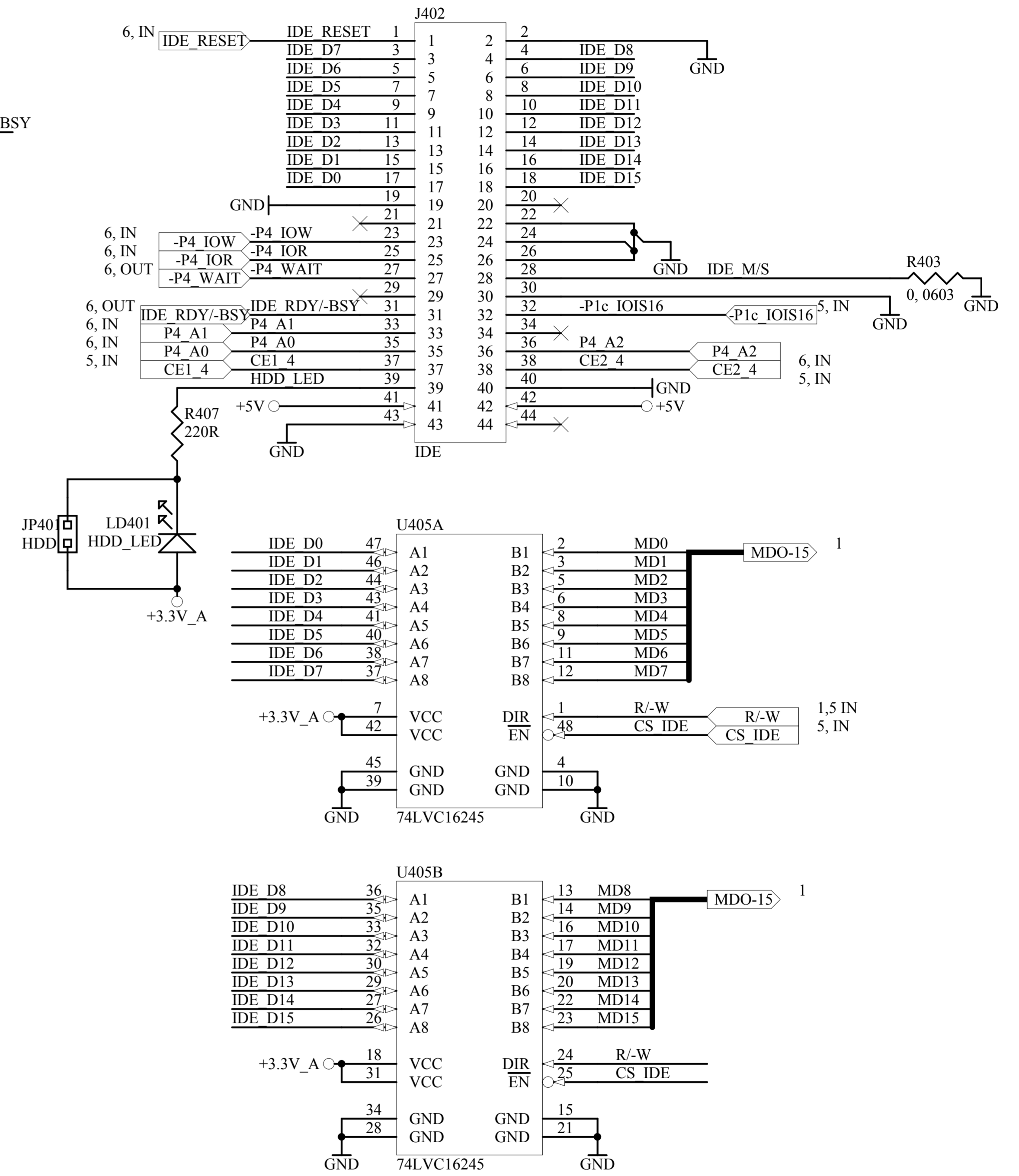
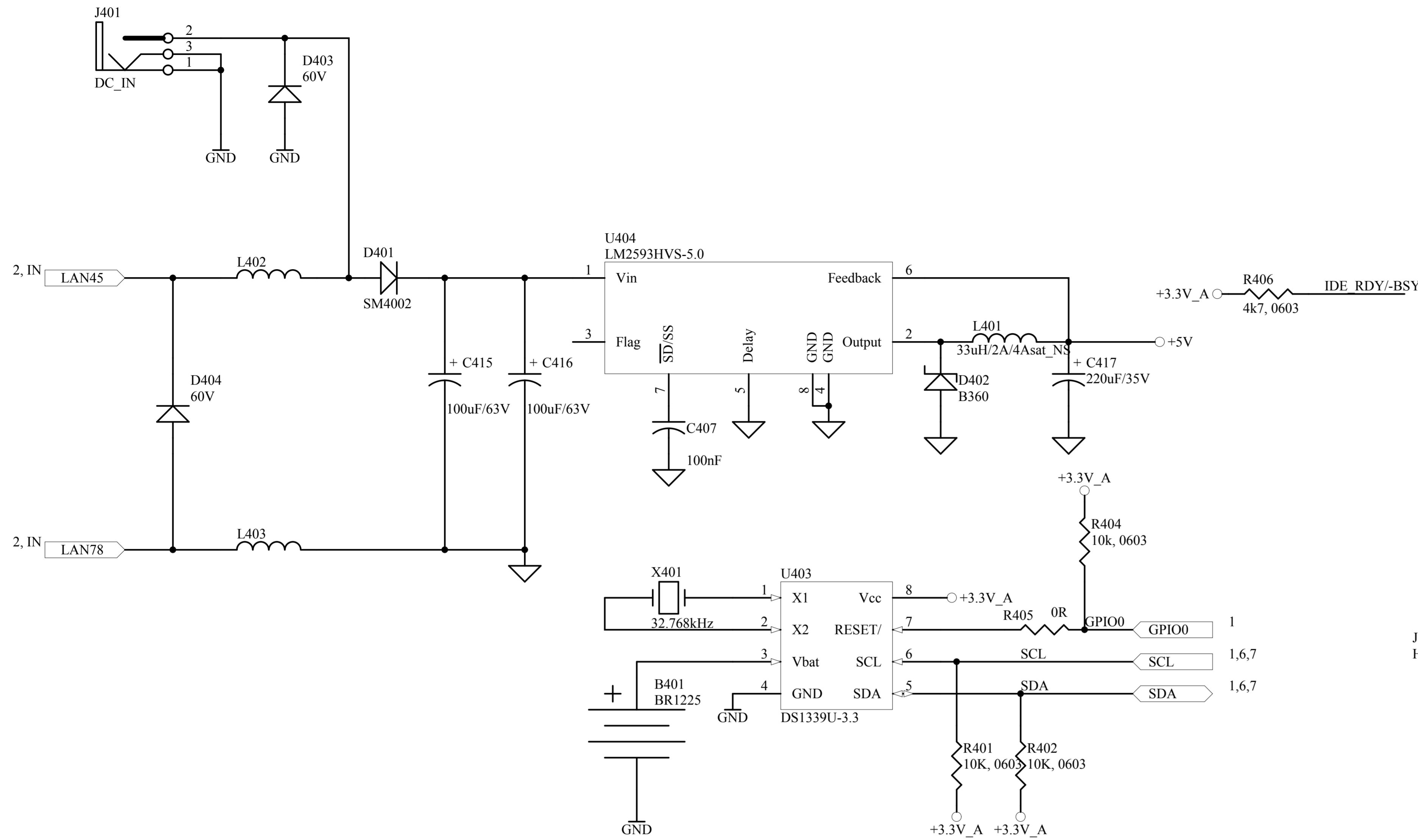
Title		
Size	Number	Revision
B	6/7	2.1
Date:	3/6/2007	Sheet of
File:	C:\temp\dmpc\DimmBoard\Documents\IO_Sch	Drawn By:



Title			Base Board - Keyboard controller		
Size	Number	Revision			
B	7/7	2.1			
Date:	3/6/2007	Sheet of			
File:	C:\temp\Keyboard2.sch	Drawn By:			



Title			Base Board - PCMCIA, CF and Xilinx		
Size	Number	Revision		2.1	
B	5/7				
Date:	3/6/2007	Sheet of			
File:	C:\temp\PC_Cards.Sch	Drawn By:			



Title			Base Board - Power and IDE		
Size	Number	Revision			
B	4/7			2.1	
Date:	3/6/2007	Sheet of			
File:	C:\temp\Power.Sch	Drawn By:			